

SOA4101M1B3

COMPACT LINEA SPEED OVEN

MADE IN ITALY
Since 1948



TRADITIONAL AND MICROWAVE COOKING

Double your cooking possibilities with a built-in oven that combines traditional and microwave cooking for fast and amazing results.

EASY TO READ DISPLAY

Thanks to a user-friendly display with large easy-to-read graphics, oven programming is taken to a whole new level making cooking a true pleasure.

EVER CLEAN ENAMEL

The superior quality of Smeg's signature Ever Clean enamel, which is highly durable and easy to clean, is the result of nearly 70 years of enameling expertise; ensuring long-life performance of every Smeg oven.

SIX TRADITIONAL COOKING FUNCTIONS:



STATIC



FAN ASSISTED



FAN FORCED



TURBO



GRILL



ECO



FOUR MICROWAVE COOKING FUNCTIONS:



MICROWAVE



MICROWAVE +
FAN ASSISTED



MICROWAVE +
FAN FORCED



MICROWAVE
+ GRILL

MINIMALIST DESIGN

Distinctive products that incorporate modern minimalist design trends, the Linea aesthetic is characterised by symmetrical lines, balance and light. Any combination of premium Linea appliances will make a real style statement in the kitchen.

OTHER FUNCTIONS:



DEFROST
BY TIME

SOA4101M1B3

COMPACT LINEA SPEED OVEN

MADE IN ITALY
Since 1948

OVEN FEATURES

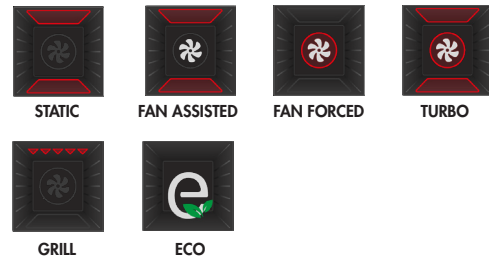
EAN	8017709328184
Dimensions	597mmW x 458mmH x 548mmD (excludes door and handle)
Finish	Black
Cooking functions	10
Other functions	1
Microwave power	800W
Inverter	No
Stirrer	No
Display	CompactScreen
Gross volume	50L
Net volume	40L
Shelf positions	2
Thermostat	30° C - 250° C
Smart cooking	No
Cooking with probe	No
DeltaT cooking	No
SameTime	No
Multi-step cooking	No
Rapid pre-heat	Yes
Instant GO	No
Installation	Built-in
Cleaning function	No
Lighting	1 x 40W Halogen
Safety	Thermal protection system, control lock
Timer	Delay start and automatic end cooking 1 x Minute minder
Door	Standard
Power	220-240V, 50/60Hz 3100W 14A Connection
Warranty	Five years parts and labour

INCLUDED ACCESSORIES

- 1 x Chrome grill insert
- 1 x Chrome shelf
- 1 x Glass tray

OVEN FUNCTIONS

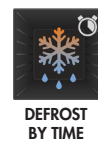
SIX TRADITIONAL COOKING FUNCTIONS:



FOUR MICROWAVE COOKING FUNCTIONS:



OTHER FUNCTIONS:



OPTIONAL ACCESSORIES

- GTP2 - Partial telescopic guides
- GTTV2 - Full telescopic guides

SOA4101M1B3
COMPACT LINEA SPEED OVEN

MADE IN ITALY
Since 1948

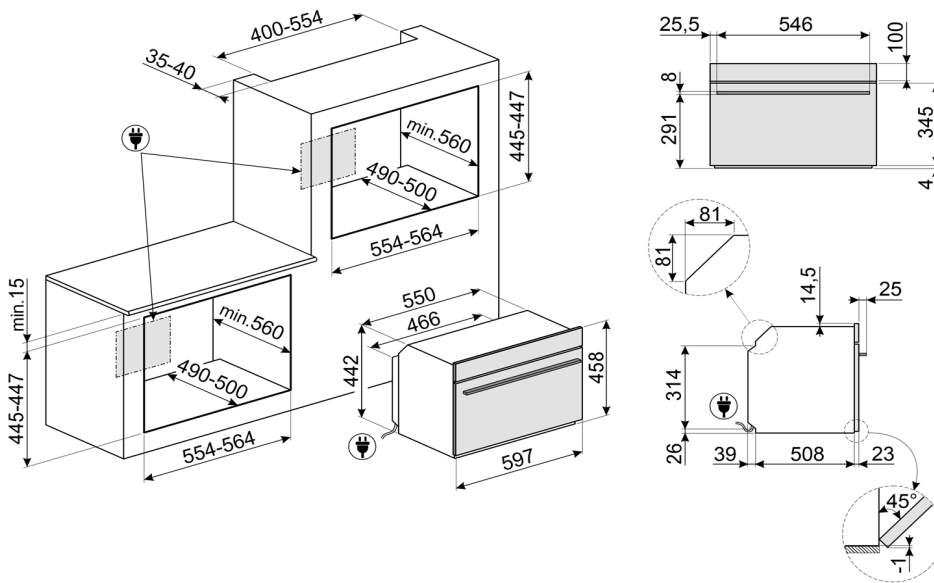
MATCHES WELL WITH:



SFA6101TB3
LINEA MULTI-FUNCTION OVEN



CPR115B3
LINEA WARMING DRAWER



Dimensions	597mmW x 458mmH x 548mmD (excludes door and handle)
Power	220-240V, 50/60Hz 3100W 14A Connection

PLEASE NOTE: drawings are not to scale. They are to assist only.
WARNING: technical specifications and product sizes can be varied by the manufacturer without notice.
Cutouts for appliances should only be by physical product measurements. The above information is indicative only.