

SO4104APG
COMPACT LINEA OMNICHIEF OVEN

MADE IN ITALY
Since 1948



ONE OVEN, THREE TECHNOLOGIES

Expressing the best of our new multi-cooking technology, the Smeg Omnichef oven allows you to combine three cooking technologies in one compact appliance: traditional cooking, steam cooking and microwave cooking. This new approach to cooking aims to obtain results that match the professional kitchen in the home in total simplicity. Microwave, full steam and traditional cooking can be used individually, in sequence, or simultaneously to allow for everything from fast, simple cooking to push-your-cooking limits with more complex dishes.



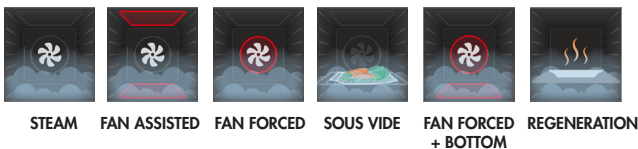
TEN TRADITIONAL COOKING FUNCTIONS:



FIVE STEAM ASSISTED COOKING FUNCTIONS:



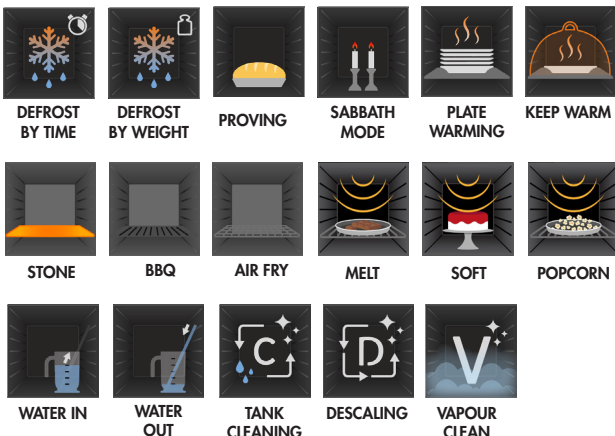
SIX CONTINUOUS STEAM COOKING FUNCTIONS:



FIVE MICROWAVE COOKING FUNCTIONS:



OTHER FUNCTIONS:



SMART COOKING

Let the oven do the work for you and cook with 150 built-in auto programmes. Plus, you can even save the oven settings of up to 10 of your favourite recipes so they can be simply called up at the touch of a button.

MULTI-STEP PROGRAMMING

Pre-set two different steps before you start cooking to allow for utmost versatility to achieve the perfect finish. It's no fuss, set and forget cooking.

MULTI-POINT TEMPERATURE PROBE

Cook like a professional. The multi-point probe measures the internal temperature of your food at three different points for precise cooking results.

VIVOSCREEN

Intuitive, easy to read and simple to use. Full colour and high definition images illustrate the extensive range of automatic programmes for smart cooking.

FILL & HIDE WATER LOADING

Refill the extra large 2L water tank of the Omnichef without opening the oven door and disrupting the cooking cycle. The Fill & Hide system also saves time as it calculates and loads the right amount of water needed for cooking.

NEPTUNE GREY: THE NEW NEUTRAL

An elegant aesthetic that incorporates modern minimalistic design trends with an on-trend neutral colour, Linea is characterised by symmetrical lines, balance and light. Any combination of premium Linea appliances will make a real style statement in the kitchen.

SO4104APG

COMPACT LINEA OMNICHIEF OVEN

MADE IN ITALY
Since 1948

OVEN FEATURES

EAN	8017709326784
Dimensions	597mmW x 458mmH x 547mmD (excludes door and handle)
Finish	Neptune Grey
Cooking functions	26
Other functions	17
Steam range	20% - 100%
Steam delivery	Injection
Microwave power	900W
Inverter	Yes
Stirrer	Yes
Display	VivoScreen
Gross volume	50L
Net volume	40L
Water tank capacity	2L
Shelf positions	2
Thermostat	30° C - 250° C
Smart cooking	Yes (150 automatic programmes)
Cooking with probe	Yes
DeltaT cooking	Yes
SameTime	Yes
Multi-step cooking	Yes (2 step)
Rapid pre-heat	Yes
Instant GO	Yes
Installation	Built-in
Cleaning	Vapour Clean
Lighting	1 x LED
Safety	Thermal protection system, control lock
Timer	Delay start and automatic end cooking 2 x Minute minder
Door	Soft open and close
Power	220-240V, 50/60Hz 3000W 1.3A Connection
Warranty	Five years parts and labour

TEN TRADITIONAL COOKING FUNCTIONS:



FIVE STEAM ASSISTED COOKING FUNCTIONS:



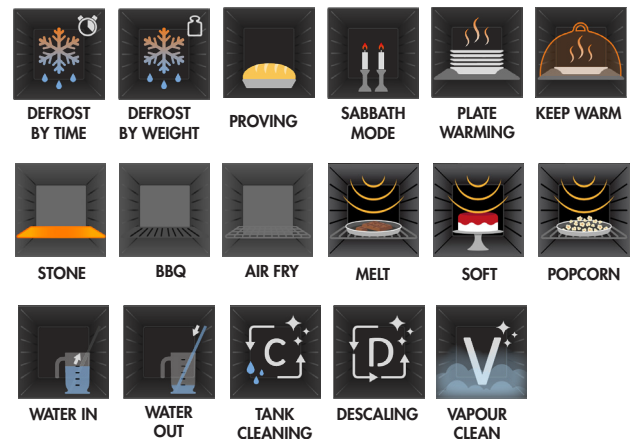
SIX CONTINUOUS STEAM COOKING FUNCTIONS:



FIVE MICROWAVE COOKING FUNCTIONS:



OTHER FUNCTIONS:



INCLUDED ACCESSORIES

- 1 x Chrome grill insert
- 1 x Premium chrome shelf
- 1 x ET50 - 50mm enamelled baking tray
- 1 x 20mm stainless steel solid full tray
- 1 x BX640PL - 40mm stainless steel perforated full tray
- 1 x Glass tray
- 1 x Multi-point temperature probe
- 1 x Full telescopic guides
- 1 X Boiling rod

OPTIONAL ACCESSORIES

- BX640 - 40mm stainless steel solid half tray
- BX640P - 40mm stainless steel perforated half tray
- BX640PL - 40mm stainless steel perforated full tray
- ET20 - 20mm enamelled baking tray
- ET50 - 50mm enamelled baking tray
- GTTV2 - Full telescopic guides
- BBQ - Double sided teflon coated aluminium BBQ tray
- AIRFRY - Air fry rack
- STONE - Pizza stone

SO4104APG
COMPACT LINEA OMNICHIEF OVEN

MADE IN ITALY
Since 1948

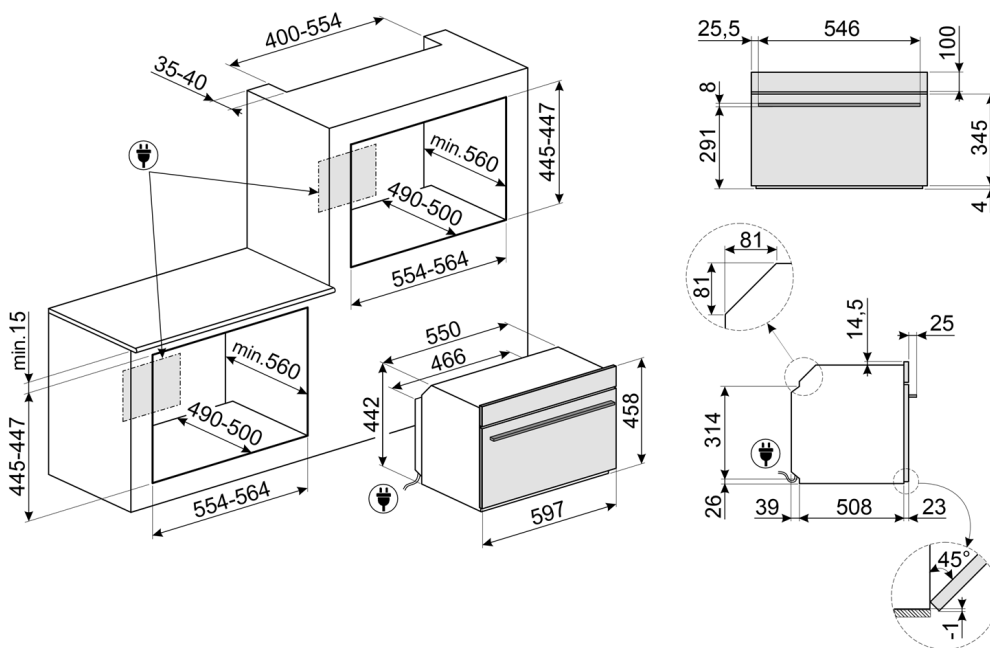
MATCHES WELL WITH:



SOPA6104S2PG
LINEA 60CM PYRO STEAM OVEN



CPV115G
VACUUM DRAWER



Dimensions	597mmW x 458mmH x 547mmD (excludes door and handle)
Power	220-240V, 50/60Hz 3000W 13A Connection

PLEASE NOTE: drawings are not to scale. They are to assist only.
WARNING: technical specifications and product sizes can be varied by the manufacturer without notice.
Cutouts for appliances should only be by physical product measurements. The above information is indicative only.