

SMO31NT

3.1 L BUILT-IN MICROWAVE WITH TRIMKIT

MADE IN ITALY

Since 1948



MICROWAVE COOKING

Five power levels (maximum 100% plus four lower levels). The microwave will automatically operate on 100% power for the duration of the cooking time selected.

PROGRAMMED COOKING

There are six convenient food groups with automatic programming for optimised microwave power and time.

QUICK START

With a single press of a button, you can quickly and conveniently operate the microwave. Pressing "Start" will immediately start operating at 100% power for 30 seconds. Continue to press the "Start" button to extend the cooking time in 30 second increments for up to 5 minutes.

DEFROST

Defrost up to 2kg of food quickly and easily by selecting the Defrost program and entering the food weight for automatic calculation of microwave power and time.

CHILD SAFETY LOCK

Easily prevent careless access to the microwave functions by pressing the "Auto Menu" and "Clock/Timer" buttons at the same time for two seconds.

MICROWAVE FEATURES

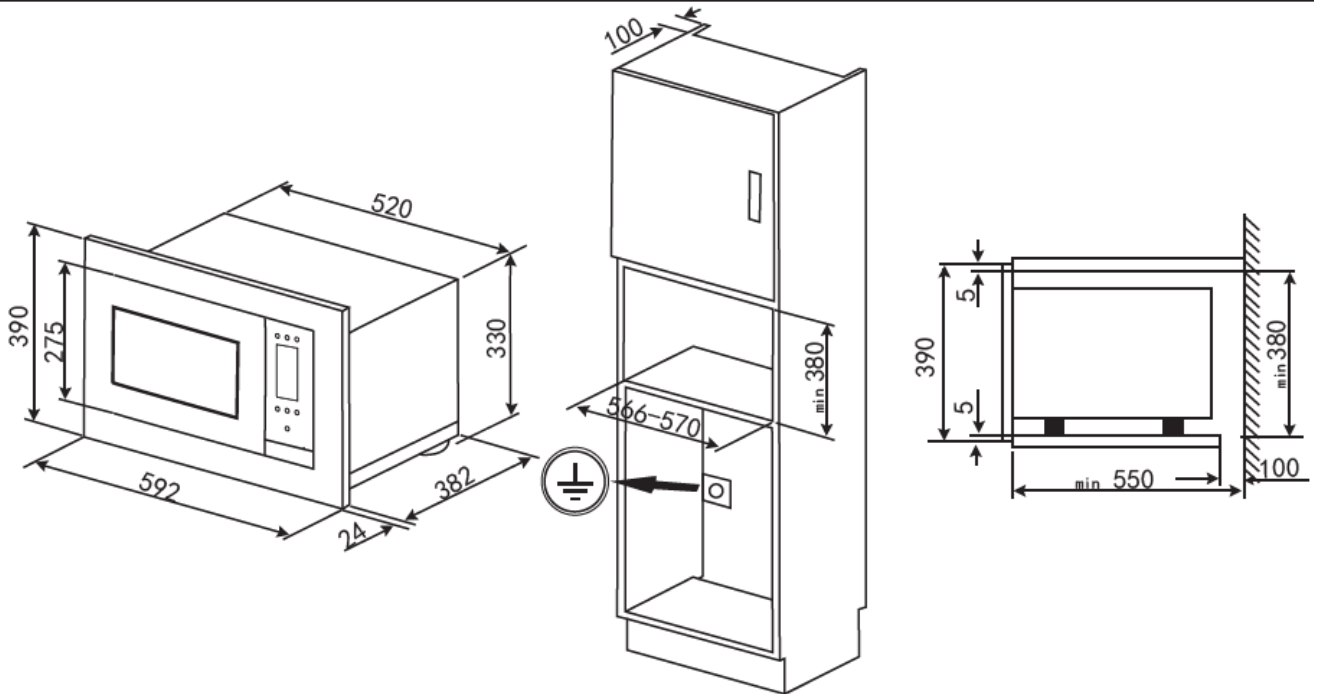
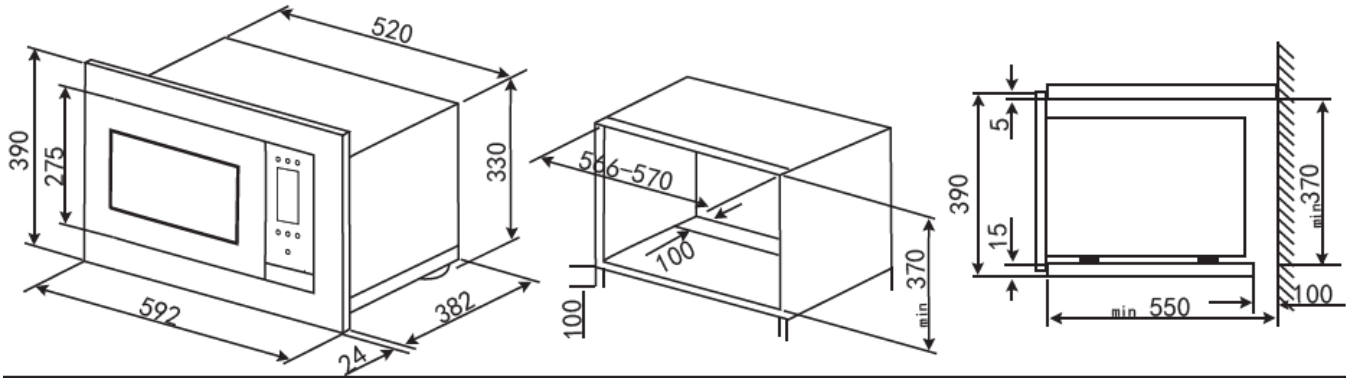
EAN	9345025009005
Dimensions	592mmW x 390mmH x 430mmD
Finish	Black glass
Display	Digital LED
Capacity	3.1L
Installation	Built-in Under-bench installation permitted (refer to technical drawing)
Cavity type	Stainless steel interior
Turntable	31.5cm diameter
Power levels	5
Microwave power	900W
Automatic cooking	6 programs: Rice Vegetable Meat Noodle Fish Reheat
Defrost	Yes
Other functions	Quick Start option
Lighting	1 x LED
Control panel	Electronic touch pad
Opening	Side opening, push button
Timer	End of cooking alarm 60 minute digital timer
Supplied accessories	1 x Trimkit 1 x Glass turntable
Safety	Child safety lock
Power	220-240V, 50Hz 1450W 10A 3 pin plug
Warranty	Two years parts and labour

SMO31NT

3.1 L BUILT-IN MICROWAVE WITH TRIMKIT

MADE IN ITALY

Since 1948



PLEASE NOTE: drawings are not to scale. They are to assist only.
 WARNING: technical specifications and product sizes can be varied by the manufacturer without notice.
 Cutouts for appliances should only be by physical product measurements. The above information is indicative only.