

**SFRA93M3TVX**

90CM CLASSIC REDUCED HEIGHT THERMOSEAL OVEN

**MADE IN ITALY**

Since 1948



**THERMOSEAL**

The seal of Smeg's quality, technical excellence and taste: succulent roasts, crisp pastry and impressive baking is achieved in Smeg's unique, perfectly controlled cooking environment. Thermoseal maintains the perfect atmospheric balance in the cavity for optimum cooking conditions.

**VAPOUR CLEAN**

Smeg's Ever Clean enamel's tough surface has a glassy finish, so a simple spray of water and detergent around the cavity in conjunction with the Vapour Clean option will generate heat and steam to soften any grease for a wipe-clean result.



**EVER CLEAN ENAMEL**

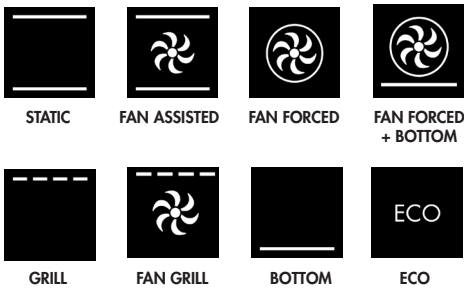
The superior quality of Smeg's signature Ever Clean enamel, which is highly durable and easy to clean, is the result of over 70 years of enamelling expertise; ensuring long-life performance of every Smeg oven.

**COOL DOOR TECHNOLOGY**

Smeg's Cool Door system is a combination of technologies which is driven by a 22 blade tangential fan and includes a heat exchange baffle system. It draws cool air up through the panes of heat-reflective glass in the door, making it safe to the touch.



**EIGHT TRADITIONAL COOKING FUNCTIONS:**



**OTHER FUNCTIONS:**



# SFRA93M3TVX

90CM CLASSIC REDUCED HEIGHT THERMOSEAL OVEN

MADE IN ITALY

Since 1948

## OVEN FEATURES

EAN	8017709345471
Dimensions	896mmW x 475mmH x 554mmD (refer to technical drawing)
Finish	Stainless steel Eclipse high visibility black glass
Cooking functions	8
Other functions	1
Display	Manual knob controls
Capacity	100L
Shelf positions	4
Thermostat	50° C - 250° C
Fans	2
Smart cooking	No
Cooking with probe	No
DeltaT cooking	No
SameTime	No
Multi-step cooking	No
Rapid pre-heat	No
Instant GO	No
Installation	Built-in
Cleaning	Vapour Clean
Lighting	1 x 40W Halogen
Safety	Thermal protection system, Cool Door technology
Timer	End of cooking acoustic alarm 1 x Minute minder
Door	Standard
Power	220-240V, 50/60Hz 3,100W 14A Connection
Warranty	Two years parts and labour

## OVEN FUNCTIONS

### EIGHT TRADITIONAL COOKING FUNCTIONS:



### OTHER FUNCTIONS:



## INCLUDED ACCESSORIES

- 1 x Chrome shelf
- 1 x Chrome grill insert
- 1 x 40mm enamelled baking tray

## OPTIONAL ACCESSORIES

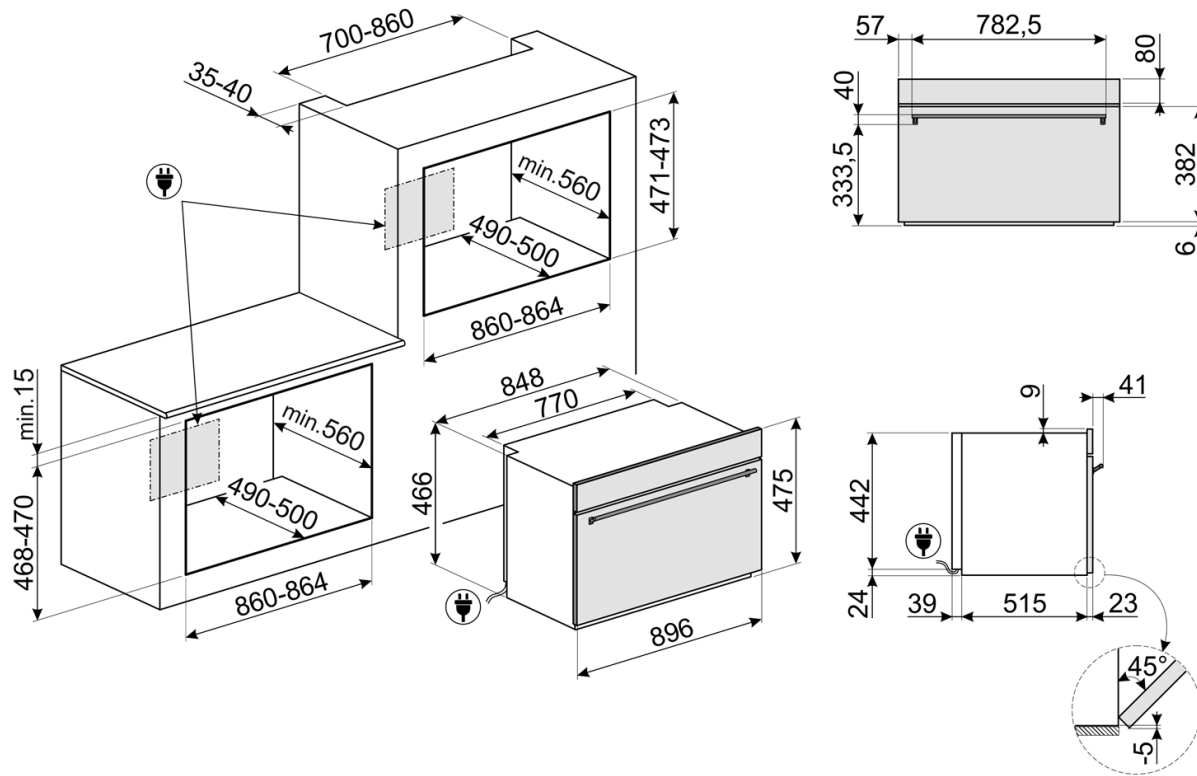
- GTP - Partial telescopic guides
- GTT - Full telescopic guides
- PPR9 - Pizza stone

**SFRA93M3TVX**

90CM CLASSIC REDUCED HEIGHT THERMOSEAL OVEN

MADE IN ITALY

Since 1948



Dimensions	896mmW x 475mmH x 554mmD (excludes door and handle)
Power	220-240V, 50/60Hz 3,100W 14A Connection

PLEASE NOTE: drawings are not to scale. They are to assist only.  
WARNING: technical specifications and product sizes can be varied by the manufacturer without notice.  
Cutouts for appliances should only be by physical product measurements. The above information is indicative only.