

## KSGAU6P4VN 60CM UNDERMOUNT RANGEHOOD

MADE IN ITALY  
Since 1948



### AUTOVENT 2.0

A smart technology system that uses Bluetooth to connect compatible Smeg induction cooktops to the rangehood and automatically adjusts the extraction speed based on the temperature and power of the paired induction cooktop.



#### RANGEHOOD FEATURES

EAN	8017709336592
Dimensions	597mmW x 270mmH x 290mmD
Finish	Stainless steel with black glass
Hood type	Fully integrated
Installation	Undermount
Motor	1 x 230W
Max airflow	660 m <sup>3</sup> /h (IEC 61591)
Noise rating	49 - 67 dB(A) (IEC 60704-2-13)
Illumination	2 x 2.3W LED
Dimmer mode	Yes
Light colour temperature range	2700° - 4000° K
Speeds	3
Intensive speed	Yes
24 hour air filter function	Yes
Autovent 2.0	Yes
Time setting options	Automatic switch off
Control	Back-lit touch control
Supplied accessories	2 x aluminium anti-grease filters
Ducting Options	Duct to atmosphere or recirculate — 1 x 150mm diameter ducting required
Power	220 - 240V, 50 - 60Hz 10A Connection (3-pin plug)
Warranty	Five years parts and labour

### CLEAN AIR

The 24 hour air exchange function makes the rangehood work for 10 minutes, every hour at very low speed and low noise, for up to 24 hours to purify the air of the house, with low energy impact.

### PERIMETER EXTRACTION

Rising vapours are led outwards along the peripheral areas of the plate, sucked to the outer edges and directed to the filter located behind. At the edge of the rangehood, a high airflow velocity is created, which ensures that vapours cannot escape laterally.

### ADJUSTABLE LIGHT COLOUR INTENSITY

The Dimmer function allows the temperature of the light to change gradually and circularly from cold to warm.

### INTENSIVE FUNCTION

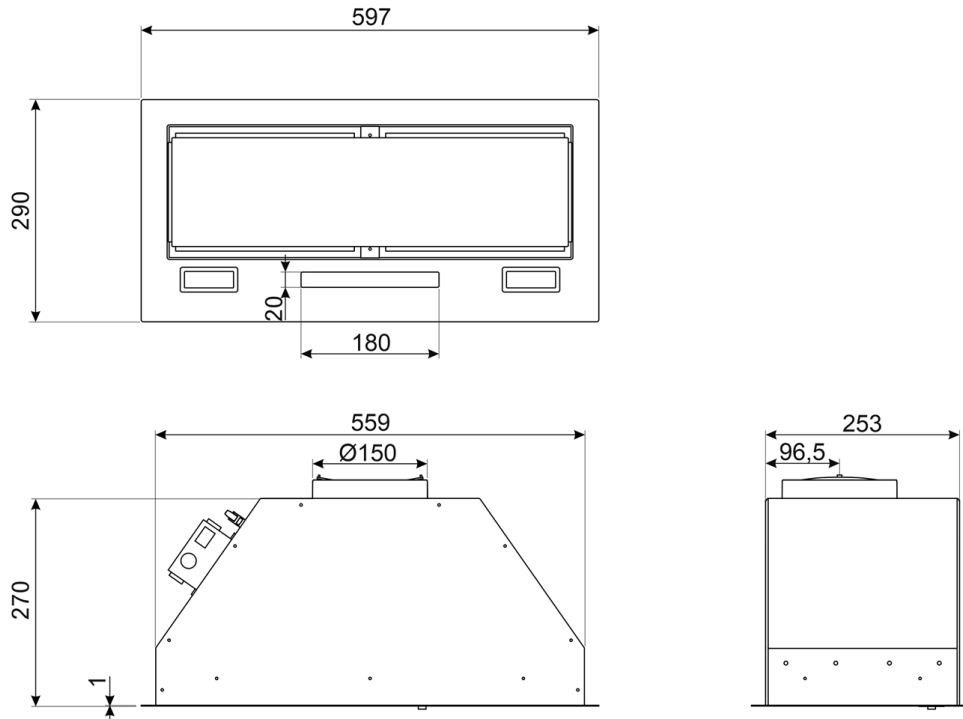
Operate the hood at maximum power with the Intensive function, helping to speed up the elimination of the most persistent odours.

### DELAY FUNCTION

The Delay function ensures quick and efficient extraction of residual smoke, moisture and grease particles in the air after cooking.

**KSGAU6P4VN**  
60CM UNDERMOUNT RANGEHOOD

MADE IN ITALY  
Since 1948



Dimensions	597mmW x 270mmH x 290mmD
Power	220 – 240V, 50 – 60Hz 10A Connection (3-pin plug)
Warranty	Five years parts and labour
Optional accessories	FLT6 charcoal filters KITALLFC charcoal filter

PLEASE NOTE: drawings are not to scale. They are to assist only.  
WARNING: technical specifications and product sizes can be varied by the manufacturer without notice.  
Cutouts for appliances should only be by physical product measurements. The above information is indicative only.