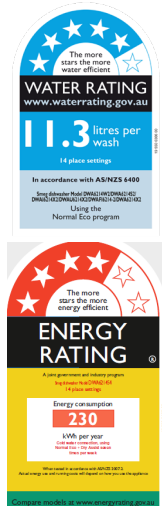
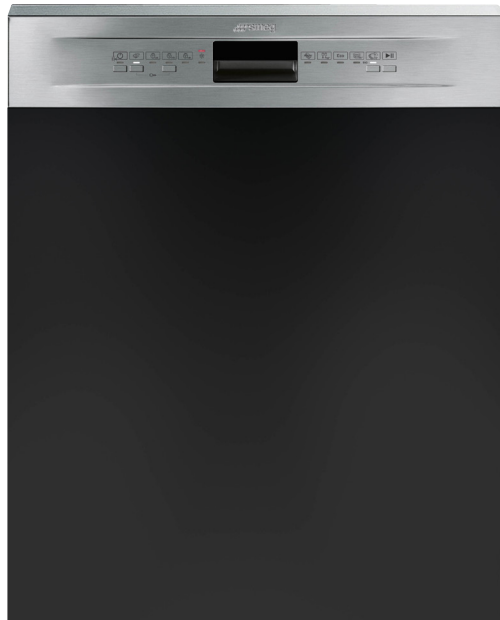


## DWAI6214X4 SEMI-INTEGRATED DISHWASHER

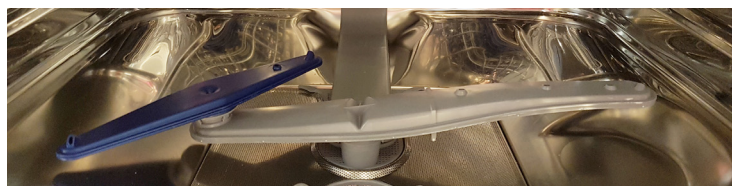


EAN 8017709341756

Size	598mmW x 570mmD x 818–868mmH max
Capacity	14 Place settings
Finish	Stainless steel fascia
Display	LED Lights
Programs	5 - Crystal, Full express 60', Mix, Normal ECO, Hygiene 99.9%
Baskets	2 Levels + cutlery basket
Wash system	Orbital Wash System
Water softener	No
Temperatures	45, 50, 55, 65, 70, 75 °C
Features	Adjustable upper basket on three levels Full stainless steel tank LED end of cycle indicator with acoustic signal
Water connection	Cold or hot water connection (60°C max)
Timer	3-6-9 hours, with automatic soak
Filter system	Stainless steel 5 stage filtration
Drying	Natural condenser drying, with Dry Assist + automatic door opening system at the end of the cycle
Safety	Total Acquastop Child safety system (door lock)
Noise	49dBA
Energy consumption	230 kWh per year using Normal ECO program
Water consumption	11.3 Litres per wash using Normal ECO program
Power	1800 W 220-240V/50 Hz/10A
Warranty	Two years parts and labour
Optional accessories	KITPL60X - stainless steel kick panel

### ORBITAL WASH SYSTEM

Smeg's orbital wash system has a major spray arm and satellite spray arm which spins ten times for every single revolution of the major spray arm to ensure water is thoroughly distributed in-between every piece in the wash for exceptional results.



### HYGIENE 99.9%

High-temperature washing programme. The 75° rinse guarantees the removal of 99.9% of germs and bacteria, making it ideal for sanitising cutting boards and baby's bottles.

### DRY ASSIST + AUTO DOOR OPEN-

In addition to saving energy, it ensures perfect drying of the dishes by opening the door automatically at the end of the wash cycle

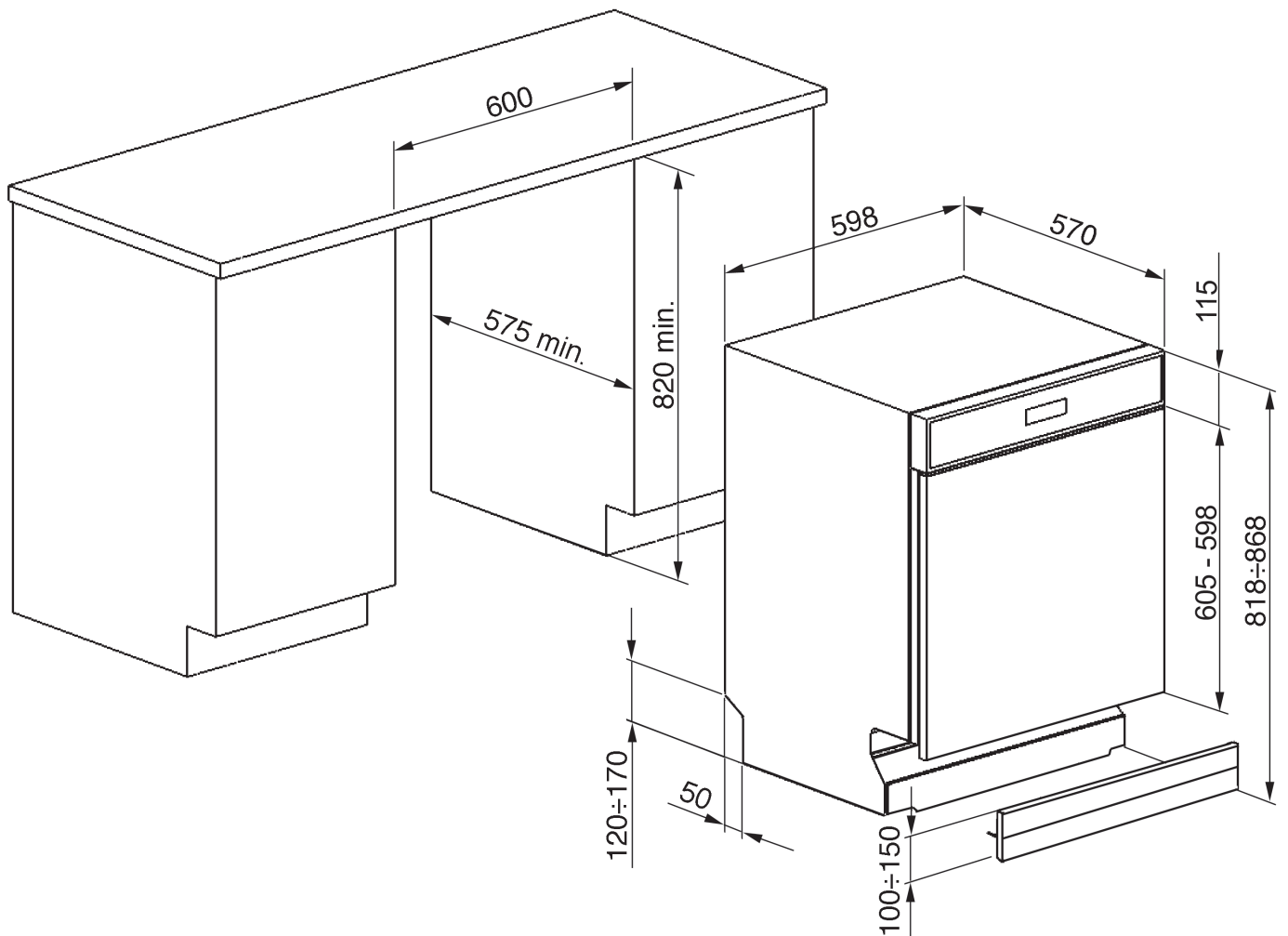
### 5-STAGE FILTRATION SYSTEM

The ultimate dishwasher filtration system maintains a high quality wash by trapping food, thus preventing it from entering the wash system.

### DELAY TIMER

Every Smeg dishwasher has a delay start option, which allows you to operate the machine during periods of off-peak or lower energy tariffs. The combination of excellent water and energy savings combined with time of use can ensure much lower running costs.

DISHWASHERS



PLEASE NOTE: drawings are not to scale. They are to assist only.

WARNING: technical specifications and product sizes can be varied by the manufacturer without notice.

Cutouts for appliances should only be by physical product measurements. The above information is indicative only.