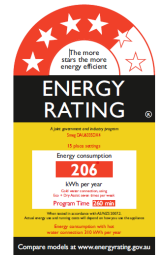
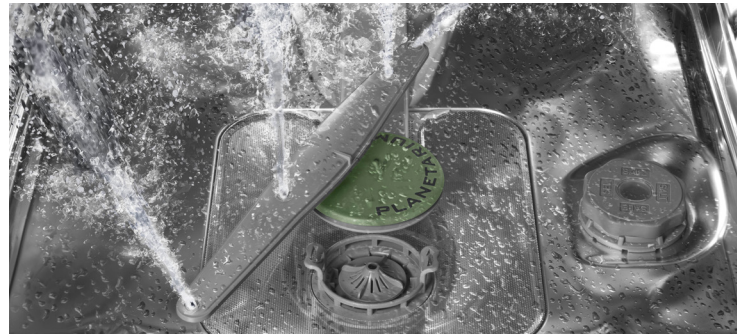


## DAU6335DX4 SMEG STAINLESS STEEL UNDERBENCH DISHWASHER



### PLANETARY WASH SYSTEM

The unique, patented planetary wash system from Smeg consists of a circular support and a double high-speed simultaneous movement spray arm, which means that the water reaches every point of the chamber, ensuring excellent washing results and low water consumption.



### DRY ASSIST+ AUTO DOOR OPENING

In addition to saving energy, it ensures perfect drying of dishes by opening the door automatically at the end of the wash cycle

### HYGIENE 99.9%

High-temperature washing programme. The 75° rinse guarantees the removal of 99.9% of germs and bacteria, making it ideal for sanitising cutting boards and baby's bottles.

### FULL EXPRESS 60'

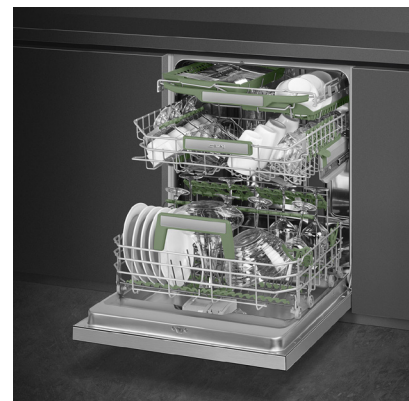
The Full Express 60' program is designed to wash and dry a full load of crockery and glassware in 1 hour, making it ideal for everyday use.

### AQUATEST - TURBIDITY SENSOR

The Auto wash program uses a turbidity sensor to measure the particles suspended in the water throughout the wash cycle. Based on the level of soiling detected, the program adjusts the temperature, duration, and water usage to optimise cleaning efficiency.

### EAN TBA

|                        |   |
|------------------------|---|
| Size                   | 598mmW x 570mmD x 818 - 858mmH  |
| Capacity               | 15 place settings   |
| Finish                 | Stainless Steel   |
| Display                | LED with time remaining indicator   |
| Programs               | 10 +1 programs  |
| End of cycle indicator | On display, with acoustic signal  |
| Baskets                | 2 Levels + Flexi Duo cutlery tray   |
| Wash system            | Planetary wash system   |
| Water softener         | Yes   |
| Temperatures           | 7 - 38°, 45°, 50°, 55°, 65°, 70°, 75°C  |
| Features               | Special programs<br>Inverter motor<br>Acquatest turbidity sensor<br>Upper basket adjustable in three levels on telescopic guides<br>Water softener<br>Self balancing hinges |
| Water connection       | Cold or hot water connection (60°C max)   |
| Timer                  | Up to 24 hours, with automatic soak   |
| Filtration             | Stainless steel 5 stage filtration  |
| Drying                 | Natural condenser drying, with Dry Assist + automatic door opening system at the end of the cycle   |
| Safety                 | Total Acquastop anti flood protection system<br>Child safety system (control lock)  |
| Noise                  | 47 dB(A) re 1pW   |
| Energy consumption     | 206 kWh per year using ECO program (4.5 energy stars)   |
| Water consumption      | 11.1 litres per wash cycle using ECO program (5.5 WELS water rating)  |
| Power                  | 1800 W<br>220-240V /50 Hz/10 amp  |
| Warranty               | Five years parts and labour   |



# DISHWASHERS

## Wash programs



SOAK



AUTO



ECO



MIX



INTENSIVE

## Additional functions



DELAY START



DRY ASSIST+



SPECIAL



SELF CLEAN

## Special wash programs



EXPRESS



CRYSTAL



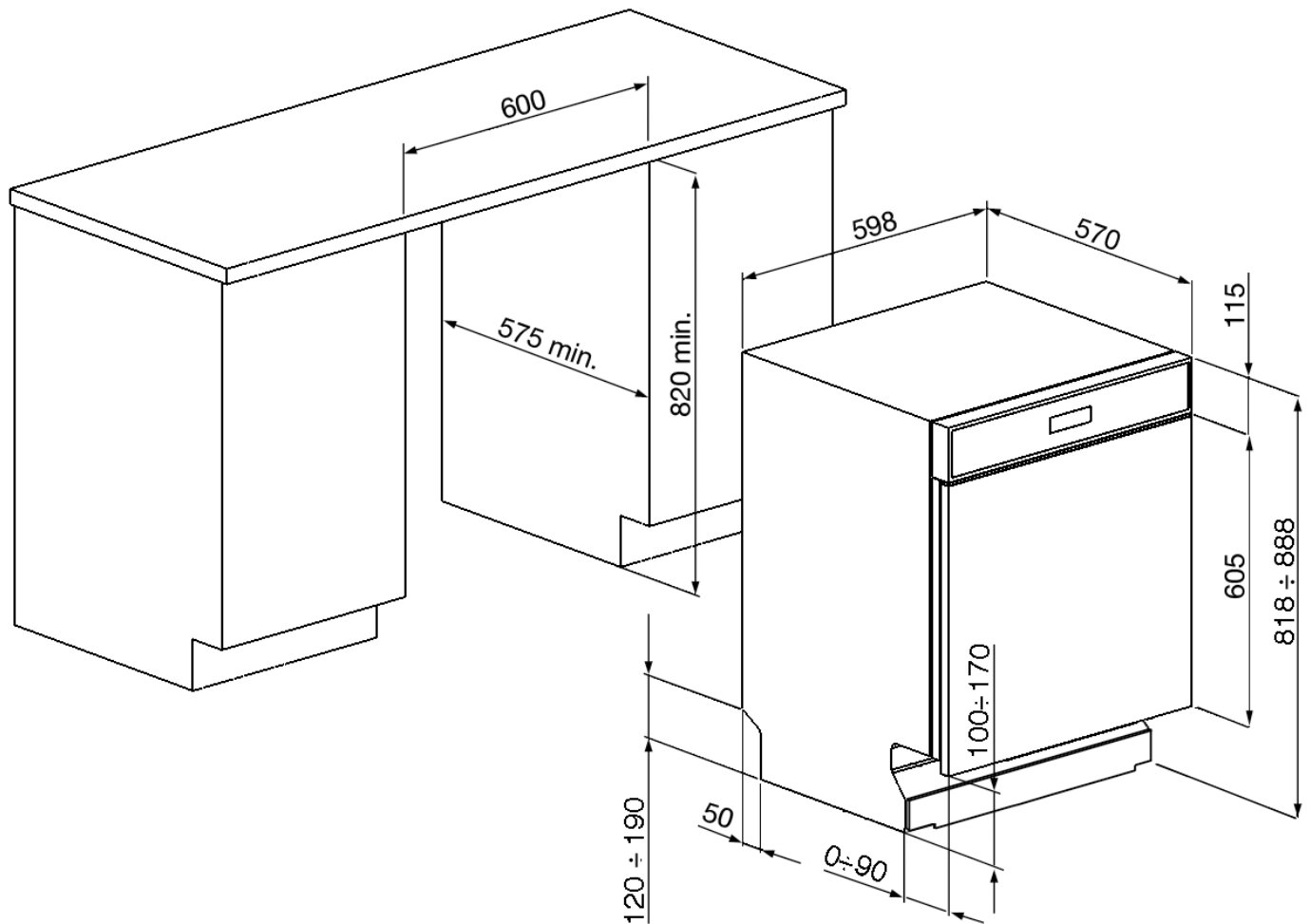
SILENT



FULL EXPRESS



HYGIENE



PLEASE NOTE: drawings are not to scale. They are to assist only.

WARNING: technical specifications and product sizes can be varied by the manufacturer without notice.

Cutouts for appliances should only be by physical product measurements. The above information is indicative only.