

# BBQE12X – 120 cm built-in electric barbecue



The ultimate electric BBQ, ideal for catering large gatherings, with maximum grilling space and power. Unmatched durability and style with our BBQ crafted from premium AISI 316 stainless steel – built to withstand the elements and deliver exceptional performance, year after year.

**EAN** – 8017709352547

## FINISH

- AISI 316 Marine Grade stainless steel on all outer surfaces
- AISI 304 Commercial Grade stainless steel on all cooking surfaces

**SIZE** – 1135 mm W x 530 mm D x 116 mm H

## FEATURES

- Stainless steel control knobs
- Two cast-iron grill plates
- One cast-iron teppanyaki plate
- Three stainless steel drip trays
- Removable lid
- Three tilting heating elements
- Advanced insulation – ensuring faster cooking, energy efficiency and cool exterior
- Laser-etched control panel
- Safety thermostat

## THERMOSTAT

0 – 300°C

## ELECTRICAL CONNECTION

Power - 4500 W

240 V/ 50/60 Hz / 20 amp

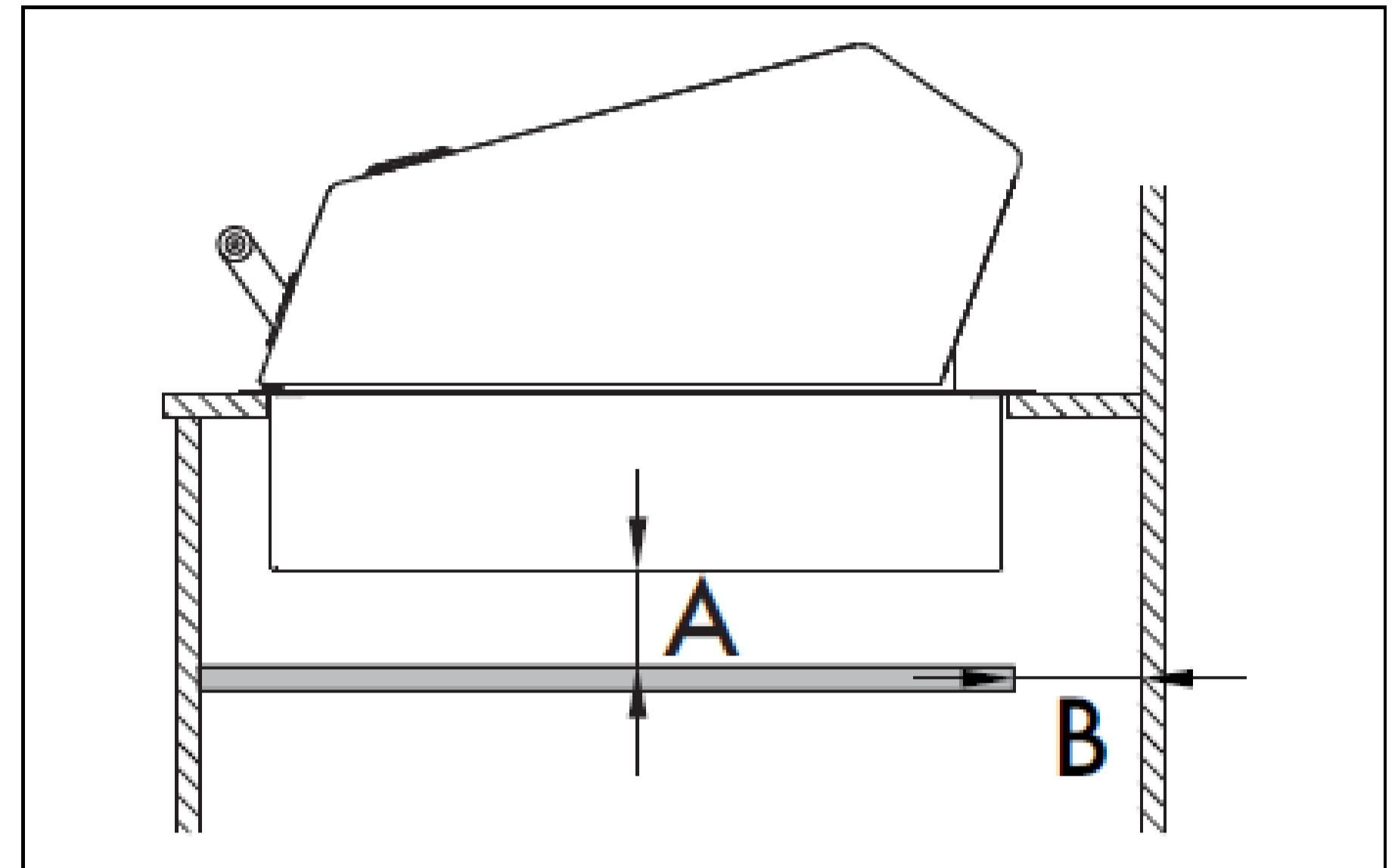
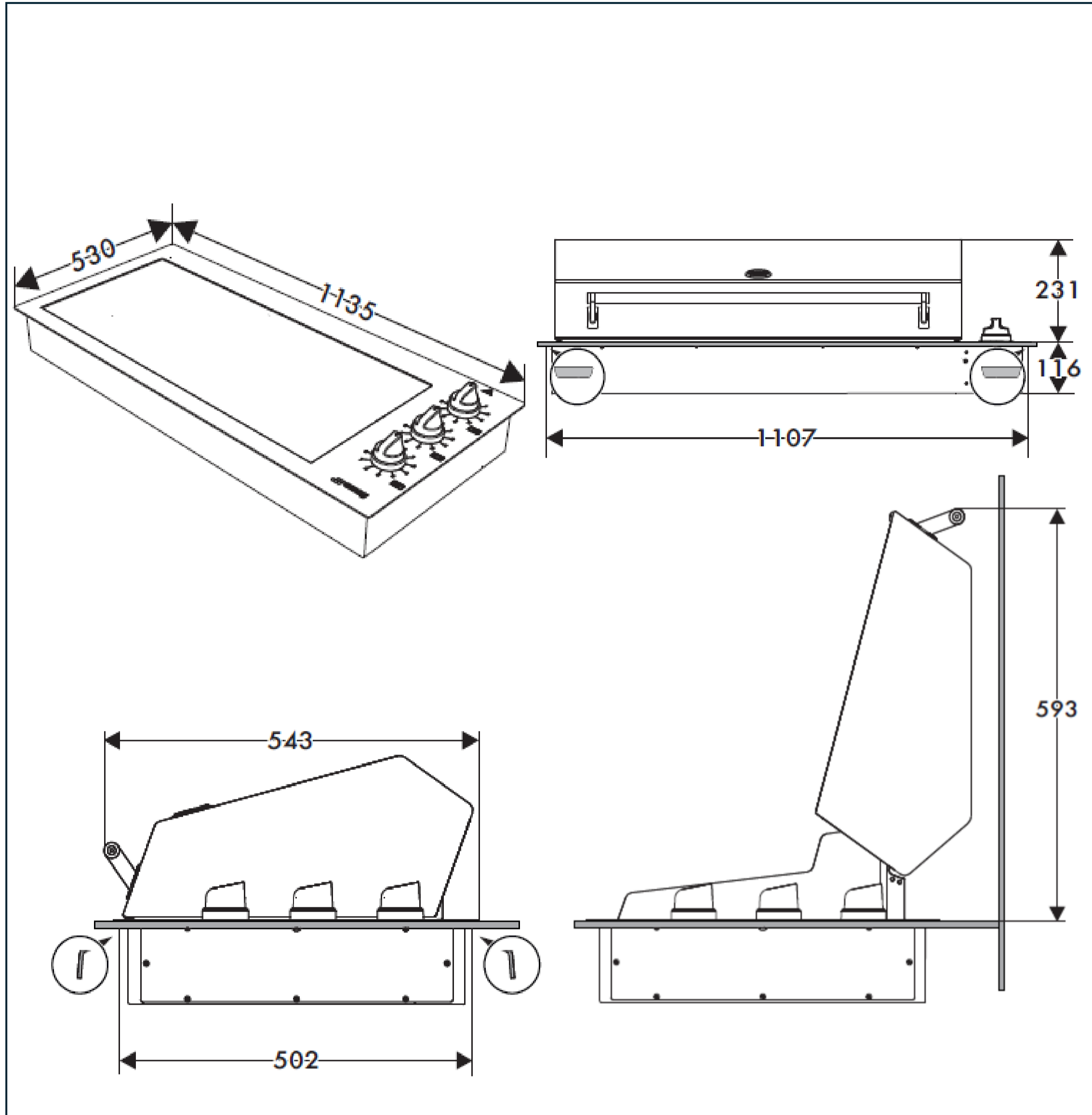
Supplied with a 20-amp cable, no plug. Can be hardwired.

## WARRANTY

5 years parts and labour

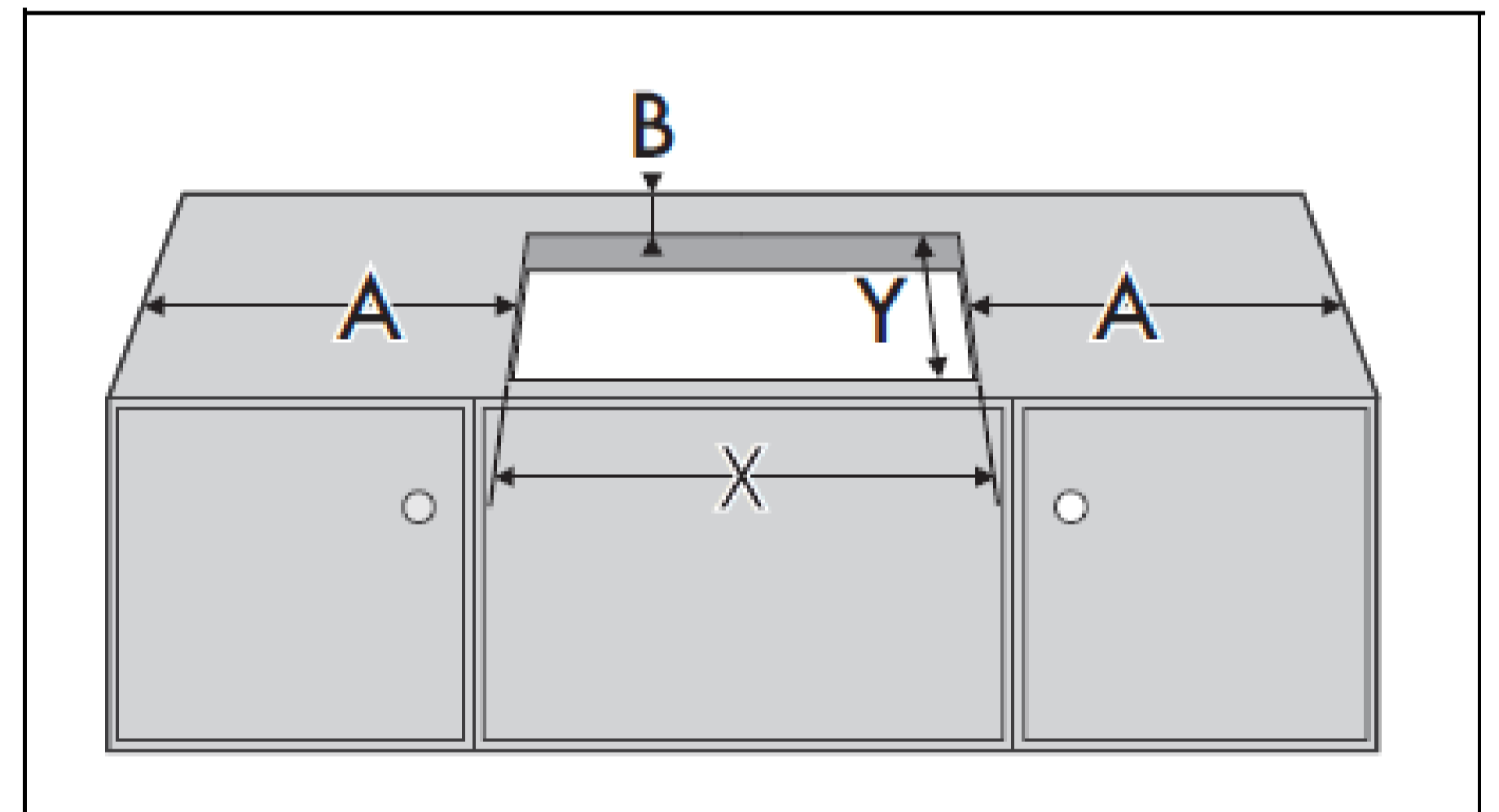


# BBQE12X – 120 cm built-in electric barbecue



A min. 70 mm

B max. 50 mm



BBQE60X	BBQE90X	BBQE12X
<b>X (mm)</b>		
517 - 522	811 - 816	1110 - 1115
<b>Y (mm)</b>		
505 - 510	505 - 510	505 - 510
<b>A (mm)</b>		
min 200	min 200	min 200
<b>B (mm)</b>		
min 78	min 78	min 78