

BBQE60XAU – 60 cm built-in electric barbecue



A compact and efficient electric BBQ, perfect for smaller spaces and apartment balconies. Unmatched durability and style with our BBQ crafted from premium AISI 316 stainless steel – built to withstand the elements and deliver exceptional performance, year after year.

EAN – 8017709358334

FINISH

- AISI 316 Marine Grade stainless steel on all outer surfaces
- AISI 304 Commercial Grade stainless steel on all cooking surfaces

SIZE – 540 mm W x 530 mm D x 116 mm H

FEATURES

- Stainless steel control knob
- Cast iron grill plate
- Stainless steel drip tray
- Removable lid
- Tilting heating element
- Advanced insulation – ensuring faster cooking, energy efficiency and cool exterior
- Laser-etched control panel
- Safety thermostat

THERMOSTAT

0 – 300°C

ELECTRICAL CONNECTION

Power - 1500 W

240 V/ 50/60 Hz / 10 amp

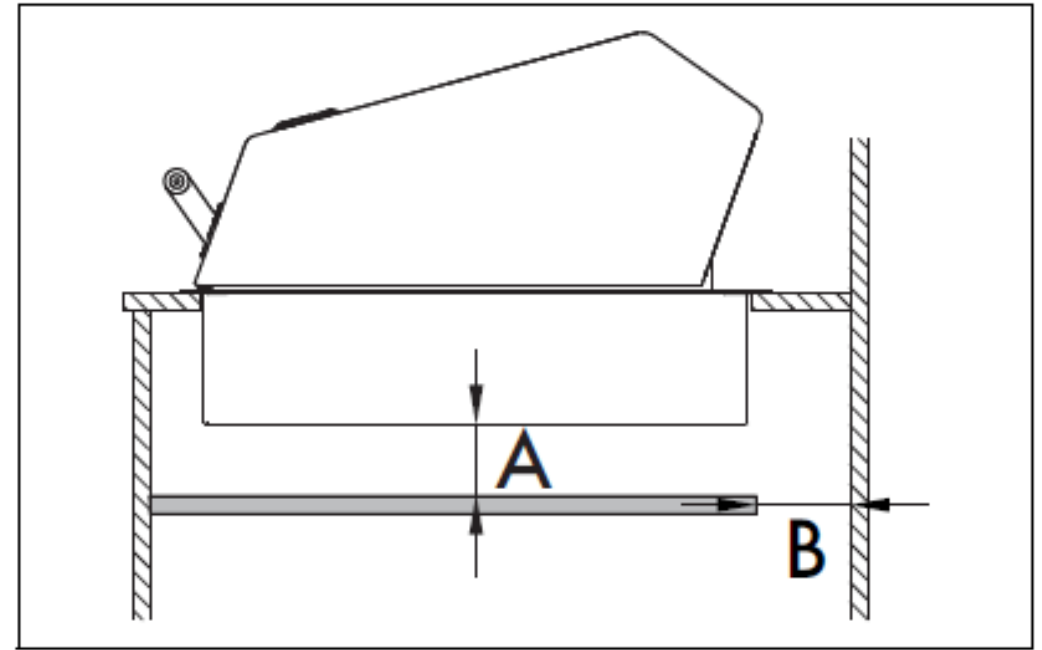
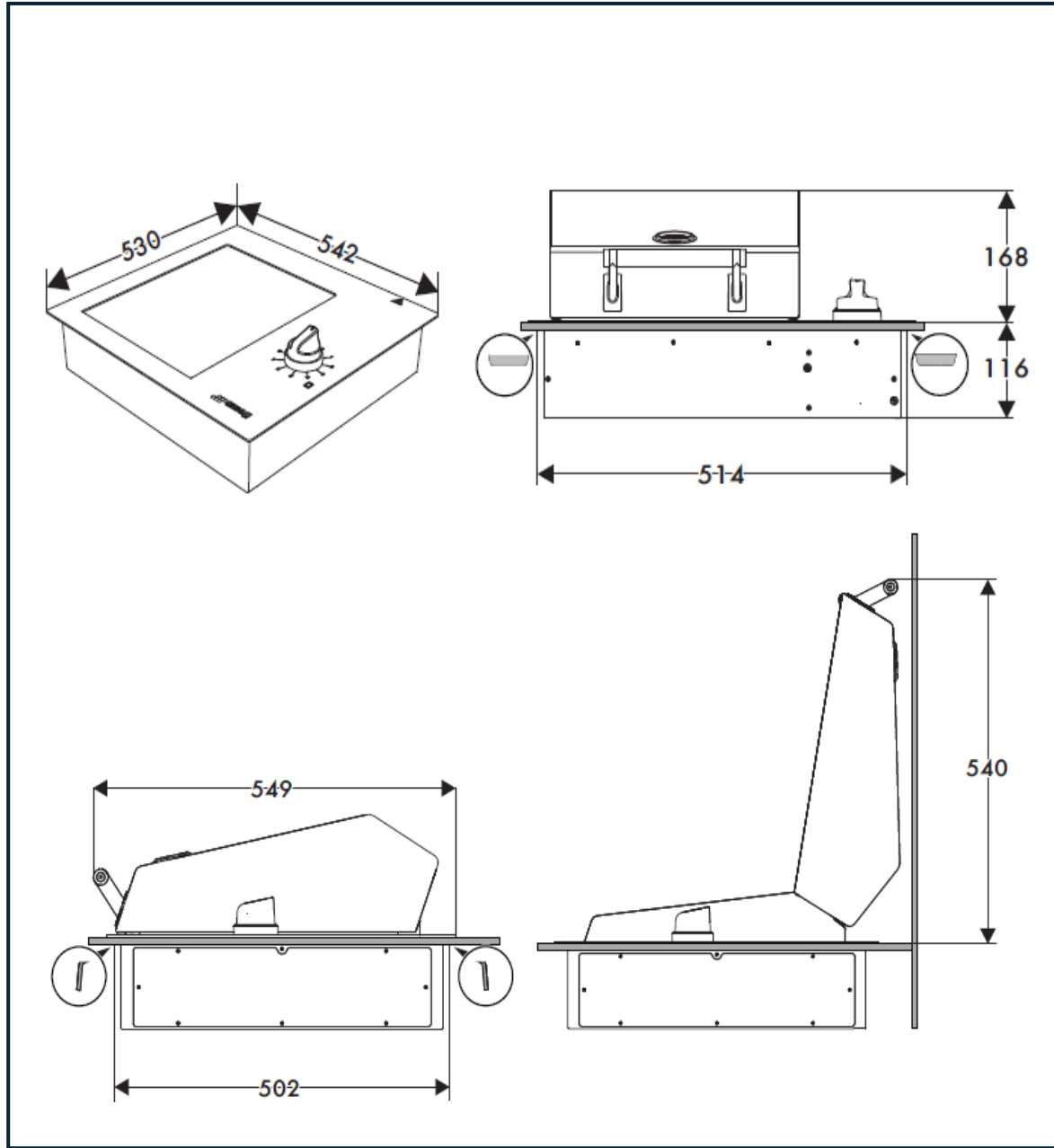
Supplied with a 10 amp plug and cable

WARRANTY

5 years parts and labour

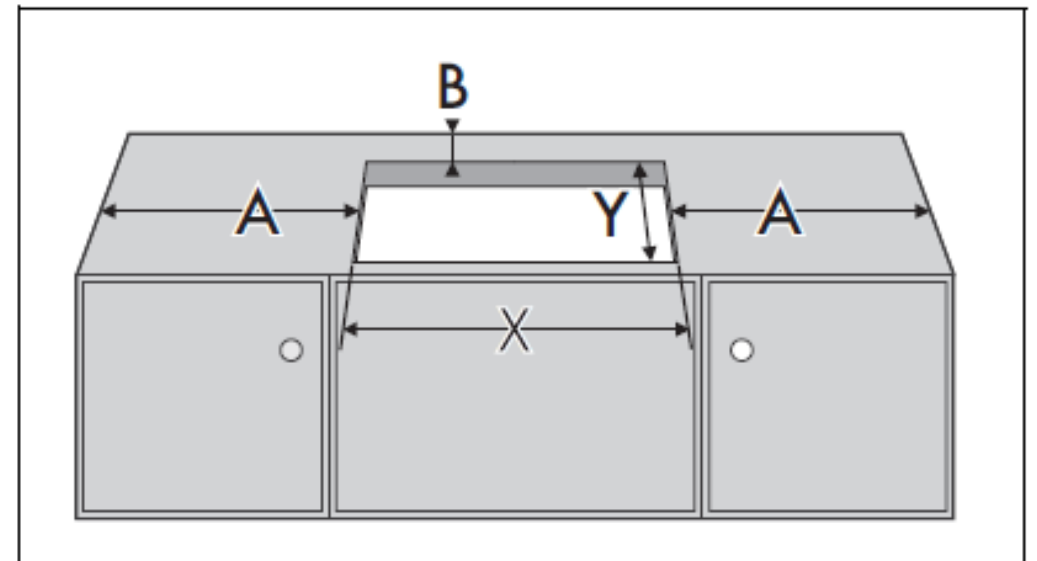


BBQE60XAU – 60 cm built-in electric barbecue



A min. 70 mm

B max. 50 mm



BBQE60X	BBQE90X	BBQE12X
X (mm)		
517 - 522	811 - 816	1110 - 1115
Y (mm)		
505 - 510	505 - 510	505 - 510
A (mm)		
min 200	min 200	min 200
B (mm)		
min 78	min 78	min 78