

## SFRA9300TN 90CM CLASSIC THERMOSEAL OVEN



### THERMOSEAL

The seal of Smeg's quality, technical excellence and taste: succulent roasts, crisp pastry and impressive baking is achieved in Smeg's unique, perfectly controlled cooking environment. Thermo seal maintains the perfect atmospheric balance in the cavity for optimum cooking conditions.



### VAPOUR CLEAN

Smeg's Ever Clean enamel's tough surface has a glassy finish, so a simple spray of water and detergent around the cavity in conjunction with the Vapour Clean option will generate heat and steam to soften any grease for a wipe-clean result.



## EAN 8017709331320

Dimensions	896mmW x 475mmH x 571mmD
Finish	Matte Black Eclipse high visibility black glass
Total functions	9
Display	DIGIscreen
Capacity	100L
Cooking levels	4
Thermostat	90 - 250°C
Installation	Built-in
Programmability	Fully programmable
Cleaning	Vapour clean
Lighting	2 x 40 Watt halogen
Supplied accessories	1 x Chrome grill insert 1 x Chrome shelves 1 x 40mm enamelled baking tray
Optional accessories	PPR9 - Pizza Stone GTT - Full telescopic guides GTP - Partial telescopic guides
Safety	Cool Door technology, thermal protection system
Power	220-240V, 50/60Hz 3100W 14A current
Warranty	Two years parts and labour

### EVER CLEAN ENAMEL

The superior quality of Smeg's patented Ever Clean enamel, which is highly durable and easy to clean, is the result of nearly 70 years of enameling expertise; ensuring long-life performance of every Smeg oven.

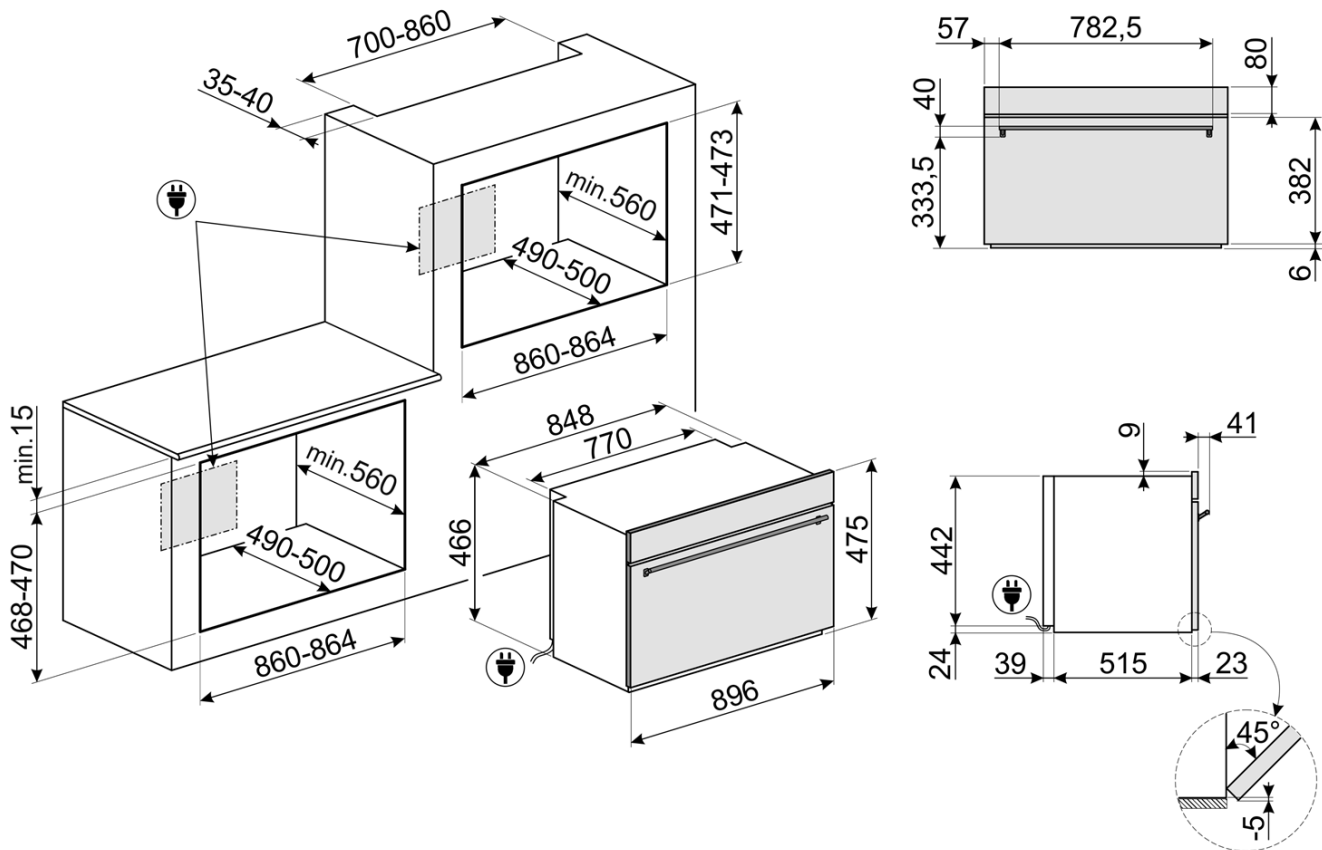
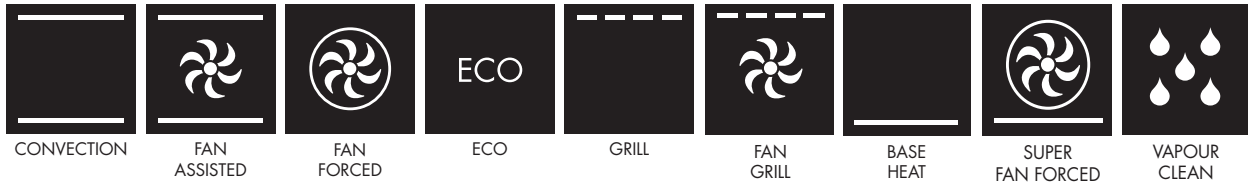


### DIGISCREEN

Simply set timer, cooking duration and end of cooking using the LED display.

SFRA9300TN  
90CM CLASSIC THERMOSEAL OVEN

FUNCTIONS



PLEASE NOTE: drawings are not to scale. They are to assist only.  
WARNING: technical specifications and product sizes can be varied by the manufacturer without notice.  
Cutouts for appliances should only be by physical product measurements. The above information is indicative only.

ID250722