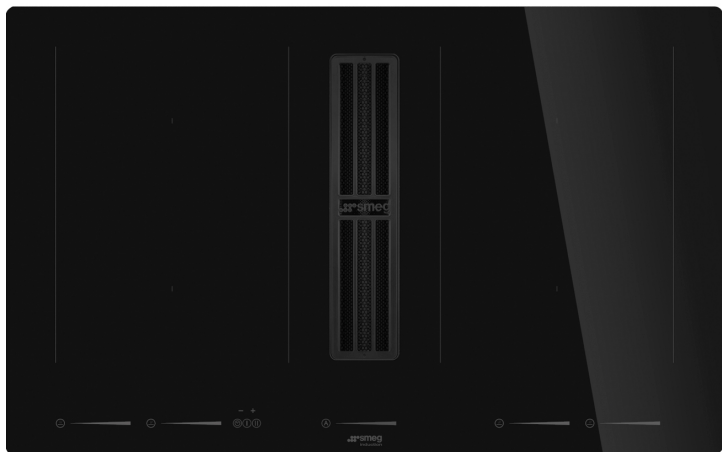


HOBD682D2

83CM LINEA INTEGRATED INDUCTION COOKTOP

MADE IN ITALY

Since 1948



COOKTOP FEATURES

EAN	8017709341893
Dimensions	830mmW x 520mmD x 230mmH
Finish	Pure Black
Installation	Topmount/fully flushed
Cutout	750mmW x 490mmD (refer to technical drawing)
Capacity	4 zones Front left: 21.0 x 19.0 cm 2100W - boost 3000W Rear left: 21.0 x 19.0 cm 2100W - boost 3000W Rear right: 21.0 x 19.0 cm 2100W - boost 3000W Front right: 21.0 x 19.0 cm 2100W - boost 3000W Multizone left: 21.0 x 38.0 cm, 3000W - boost 3700W Multizone right: 21.0 x 38.0 cm, 3000W - boost 3700W
Functions/features	Melting function Pause function Recall function
Timer	End of cooking acoustic alarm Residual time indicator 4 x timers 1 x minute minder
Controls	Touch slider control 9 power levels + boost
Safety	Pan detection Automatic cut-off Residual heat indicator (for temperature 50°C or above) Control lock Child lock
Power	220-240V, 50/60Hz 7,620 W 33A Connection
Pan size	Automatic pan size recognition (minimum 11cm)
Included accessories	Extraction and charcoal filter kit
Warranty	Five years parts and labour

AUTOMATIC EXTRACTION FUNCTION

The design of the HOBD cooktop is minimalism in its purest form. A unique piece of technology with a powerful integrated extractor fan, capable of instantly removing odours. The automatic extraction function allows the rangehood to automatically change speed in accordance with power level - selecting the most appropriate extraction level for a variety of cooking styles.

REDESIGNED EXTRACTION

An increased aspiration area captures steam and vapours more effectively, whilst enlarging the overall cooking surface area. Plus, the charcoal filters can now be easily replaced and installed from the top by simply removing the grid.

INNOVATIVE BRUSHLESS MOTOR

The waterproof brushless motor guarantees high performance airflow, reaching up to 630 m³/h extraction rate.

ECO LOGIC ADVANCED

Save energy without compromising cooking results with the Eco Logic Advanced power limitation system, enabling a minimum power draw of 2.8kW.

FLUSH BLACK STAINLESS STEEL GRID

A stainless steel grid lies at the centre of the HOBD cooktop, protecting the powerful integrated extractor fan. With no difference in the height across its surface, the glass ceramic cooktop is completely flush, so pans can be moved across it without encountering any obstacles. A few centimetres under the surface, the extraction motor instantly removes cooking odours and vapours quickly.

POWER BOOST IN EACH ZONE

Smeg's HOBD induction cooktop features the power boost function in each zone. Boost provides temporary additional power to zones when an even more intense heat is required.



HOBD682D2

83CM LINEA INTEGRATED INDUCTION COOKTOP

MADE IN ITALY

Since 1948

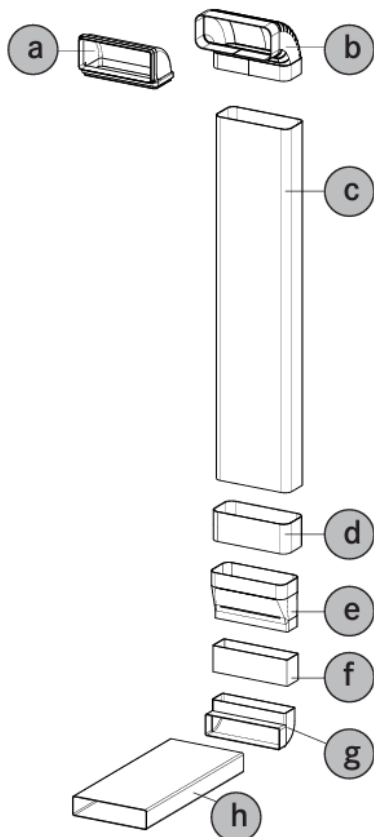
RANGEHOOD FEATURES

Motor	1 x 220W
Max airflow	630m ³ /hr (IEC 61591)
Noise rating	49 - 73dBA (IEC 60704-2-13)
Speeds	8 + 2 intensive
Functions	Autovent Delay function
Ducting options	Duct to atmosphere / recirculate
Included accessories	Dishwasher safe aluminium anti-grease filter 2 x regenerable charcoal filters (regenerable up to 8 times)
Additional accessories	KITRHOBD6 - kit for recirculation installation KITEHOBD10 - kit for ducted installation FLTHOBD2 - replacement charcoal filter GRIX6H - grid and adapter KITREBFLOW - stainless steel external louvre

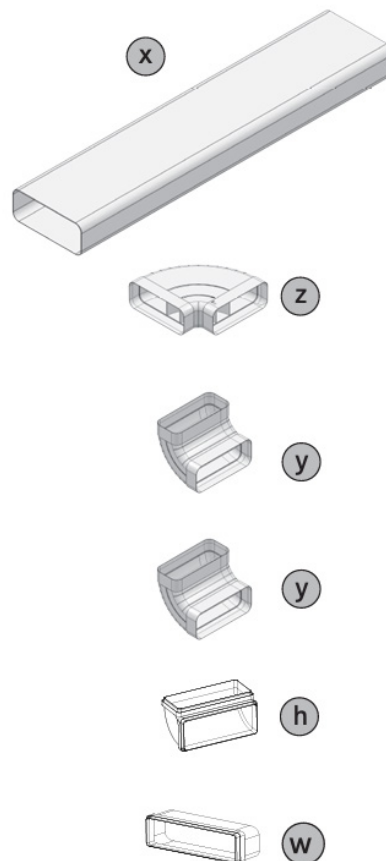
	EXTRACTION RATE IEC 61591 [m ³ /h]	NOISE LEVEL IEC 60704-2-13 [dB(A)]
Speed 1	230	49
Speed 2	270	51
Speed 3	340	55
Speed 4	370	60
Speed 5	400	62
Speed 6	435	63
Speed 7	460	65
Speed 8	500	68
Intensive Speed 1	540	70
Intensive Speed 2	630	73

AVAILABLE ACCESSORIES (MUST BE PURCHASED SEPARATELY):

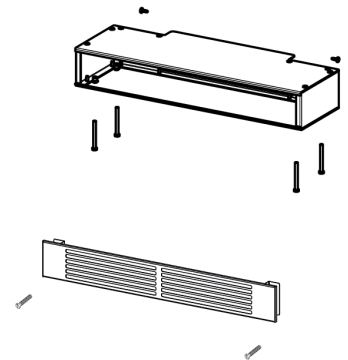
KITRHOBD6: recirculation kit



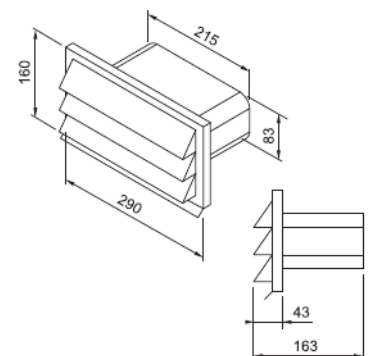
KITEHOBD10: ducting kit



GRIX6H: grid + adapter



KITREBFLOW:
stainless steel external louvre



HOB682D2

83CM LINEA INTEGRATED INDUCTION COOKTOP

MADE IN ITALY

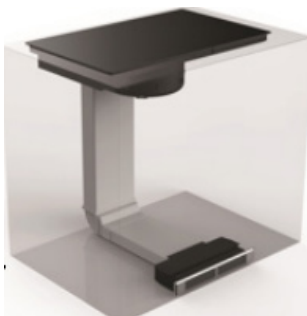
Since 1948

INSTALLATION OPTIONS:



RECIRCULATED

Out of the plinth (6cm height)



Air exits outside the cabinet from the plinth.

Required accessories:

KITRHOB6: recirculation kit

GRIX6H: grid + adapter



DUCTED

Direct behind the wall



No additional accessories required. Pipe is included in the product.

Recommended accessory:

KITREBFLOW: stainless steel external louvre



DUCTED

Back, right and left



Required accessory:

KITEHOB10: ducting kit

Recommended accessory:

KITREBFLOW: stainless steel external louvre

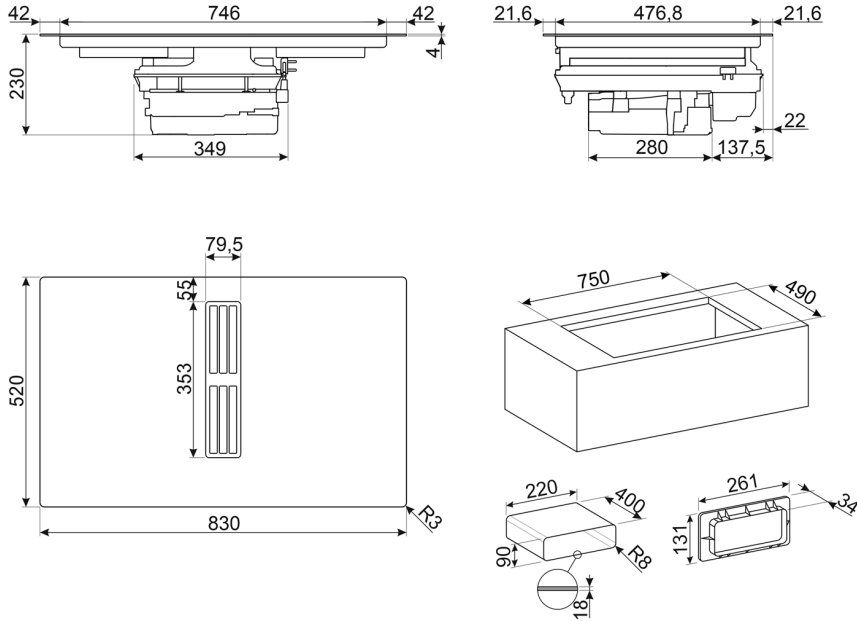
HOB682D2

83CM LINEA INTEGRATED INDUCTION COOKTOP

MADE IN ITALY

Since 1948

TOP MOUNT:



PLEASE NOTE: drawings are not to scale. They are to assist only.
 WARNING: technical specifications and product sizes can be varied by the manufacturer without notice.
 Cutouts for appliances should only be by physical product measurements. The above information is indicative only.