

CPF9GP**

90CM PORTOFINO PYROLYTIC
FREESTANDING COOKER

MADE IN ITALY
Since 1948



reddot award 2017
winner

THERMOSEAL

The seal of Smeg's quality, technical excellence and taste: succulent roasts, crisp pastry and impressive baking is achieved in Smeg's unique, perfectly controlled cooking environment. ThermoSeal maintains the perfect atmospheric balance in the cavity for optimum cooking conditions.

OPTIMAL ENERGY EFFICIENCY

This new cavity is characterised by its unique shape, with rounded corners and smooth, uniform walls, for maximum thermal insulation and optimal energy performance. Unique in its class, the large oven is categorised in energy efficiency class A+ (EU standard).

126L CAPACITY

When entertaining, the massive capacity of Smeg's 90cm Freestanding Cookers makes catering simple. The generous 126 litres mean two roasts can be cooked side-by-side, with a huge tray of vegetables at the same time! Healthy meals are ready in just 30 minutes.

RAPID PREHEAT

With rounded corners and smooth, uniform walls, the new cavity ensures maximum thermal insulation and helps to reduce pre-heating time. The Portofino takes just six minutes to reach a temperature of 200 °C - a time saving of 50% compared to a standard oven.

SOFT CLOSE DOOR

The new soft-close mechanism on Smeg's oven doors ensures a two-stage soft and quiet close. Smeg's quality hinges also ensure the door will not drop on opening, an intrinsic safety feature.

Dimensions 900mmW x 600mmD x 900mmH
(refer to technical drawing)

Power 220-240V, 50/60Hz
4000W, 18A Connection

Warranty Five years parts and labour

Colours Available



White



Sunshine Yellow



Anthracite



Coral Red



Black



Olive Green



Burnt Orange



Stainless steel

Optional Matching Rangehood



White



Sunshine Yellow



Anthracite



Coral Red



Black



Olive Green



Burnt Orange



Stainless steel



CPF9GP**

90CM PORTOFINO PYROLYTIC FREESTANDING COOKER

MADE IN ITALY
Since 1948

Installation Freestanding
Dimensions 900mmW x 600mmD x
900mmH (refer to technical drawing)

ELECTRIC OVEN

Features
126L capacity
16 total functions
5 cooking levels
Temperature range 50-260°C
Fully programmable
Pyrolytic cleaning
2 x 40W halogen lighting
Safety - thermal protection & cool door
Storage compartment

Supplied Accessories
1 x Chrome wire shelf
1 x 40mm enamelled baking tray
1 x 20mm enamelled baking tray
1 x Chrome grill insert
1 x Partial telescopic guides
1 x Front kick plate
2 x Side kick plates

Optional Accessories
Pizza Stone (PPR9)
Pizza Shovel (PALPZ)
Full Telescopic Guides (GTT)

Electric grill 2900W

GAS HOB

Capacity **6 gas burners**
Front left (wok) 15.2 mj/hr
Rear left 3.9 mj/hr
Front centre 3.9 mj/hr
Rear centre 7.5 mj/hr
Front right 7.5 mj/hr
Rear right 12 mj/hr

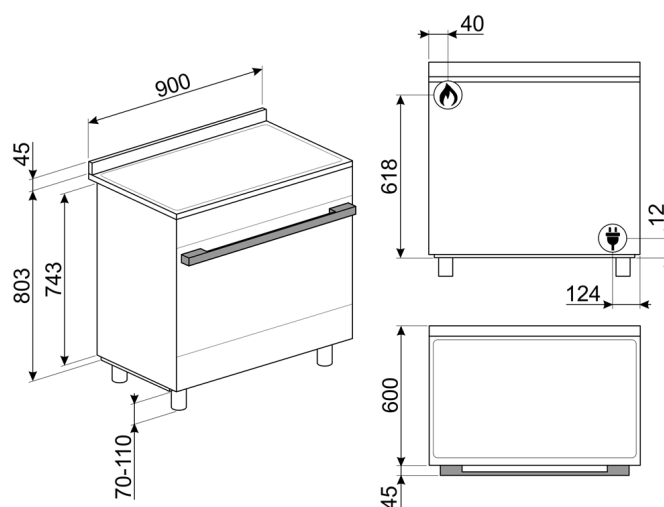
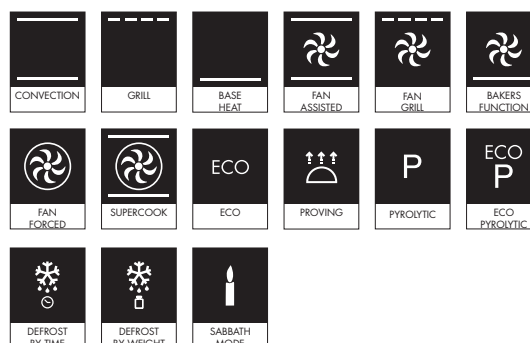
Gas input Set for natural gas, regulator supplied, adapt for ULPG, no regulator required

Safety Flame failure device fitted to each burn

Power 20-240V, 50/60Hz
4000W, 18A Connection

Warranty Five years parts and labour

OVEN FEATURES

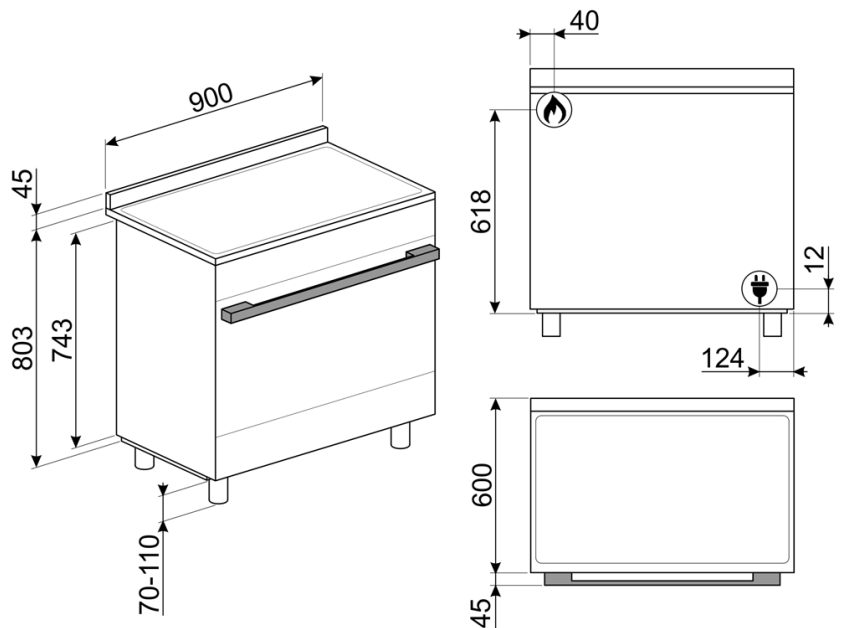


CPF9GP**
90CM PORTOFINO PYROLYTIC
FREESTANDING COOKER

MADE IN ITALY
Since 1948



Dimensions	900mmW x 600mmD x 900mmH (refer to technical drawing)
Power	20-240V, 50/60Hz 4000W, 18A Connection
Warranty	Five years parts and labour



PLEASE NOTE: drawings are not to scale. They are to assist only.
WARNING: technical specifications and product sizes can be varied by the manufacturer without notice.
Cutouts for appliances should only be by physical product measurements. The above information is indicative only.