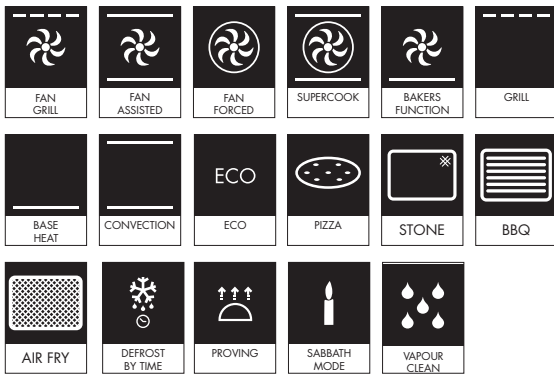


SOA6102TG

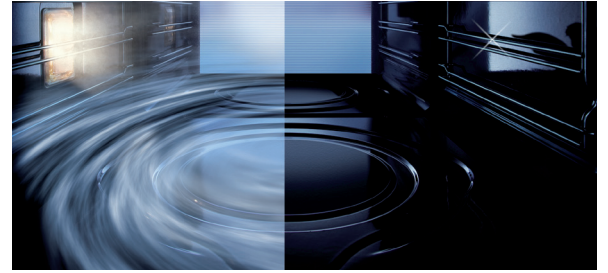
60CM LINEA MULTI FUNCTION OVEN

MADE IN ITALY
Since 1948



VAPOUR CLEAN

Smeg's Ever Clean enamel's tough surface has a glassy finish, so a simple spray of water and detergent around the cavity in conjunction with the Vapour Clean option will generate heat and steam to soften any grease for a wipe-clean result.



EVER CLEAN ENAMEL

The superior quality of Smeg's patented Ever Clean enamel, which is highly durable and easy to clean, is the result of nearly 70 years of enameling expertise; ensuring long-life performance of every Smeg oven.



MINIMALIST DESIGN

Distinctive products that incorporate modern minimalist design trends, the Linea aesthetic is characterised by symmetrical lines, balance and light. Any combination of premium Linea appliances will make a real style statement in the kitchen.

EAN	8017709327804
Dimensions	597mmW x 592mmH x 571mmD
Finish	Neptune Grey
Total functions	17
Warranty	Five years parts and labour

SOA6102TG

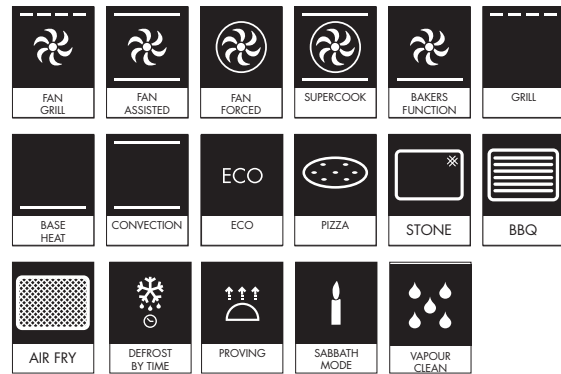
60CM LINEA MULTI FUNCTION OVEN

MADE IN ITALY
Since 1948

OVEN FEATURES

Dimensions	597mmW x 592mmH x 571mmD
Finish	Neptune Grey
Total functions	17
Display	EVOscreen
Capacity	78L
Cooking levels	5
Thermostat	30 - 280°C
Installation	Built-in
Programmability	Fully programmable
Cleaning	Smeg Vapour Clean, Ever-Clean enamel
Lighting	1 x 40W halogen
Safety	Thermal protection system, child safety lock, controls lock
Power	220-240V, 50/60Hz 3000W 13A Connection
Warranty	Five years parts and labour

OVEN FUNCTIONS



SUPPLIED ACCESSORIES

- 1 x chrome wire rack
- 1 x grill insert
- 1 x 20mm enamelled baking tray
- 1 x 50mm enamelled baking tray
- 1 x Partial telescopic guides

OPTIONAL ACCESSORIES

- PPR2 - Stone
- ET20/ET50 - Baking Dishes
- 38508/510 - Baking Dish
- GTP2 - Partial telescopic guides
- GTT2 - Total telescopic guides

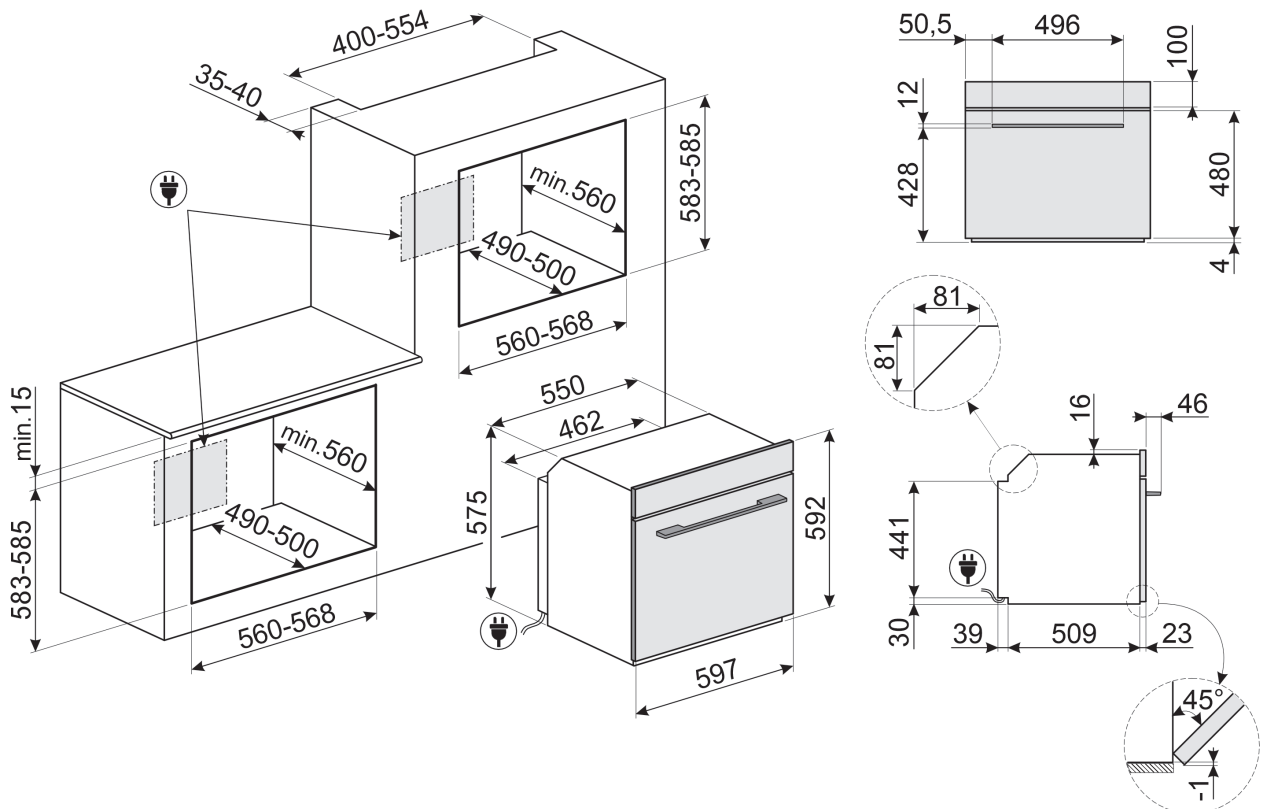
SOA6102TG

60CM LINEA MULTI FUNCTION OVEN

MADE IN ITALY
Since 1948



Dimensions	597mmW x 592mmH x 571mmD
Power	220-240V, 50/60Hz 3000W 13A Connection
Warranty	Five years parts and labour



PLEASE NOTE: Drawings are not to scale. They are to assist only.

CABINERY: Cut-outs are indicated for proud mounting. For flush mounting please refer to a specialist installer.

VENTILATION: Ovens and compact ovens require a 35-40mm ventilation gap at the rear of the cabinet.

WARNING: Technical specifications and product sizes can be varied by the manufacturer, without notice. Cutouts for appliances should only be by physical product measurements. The above information is indicative only.