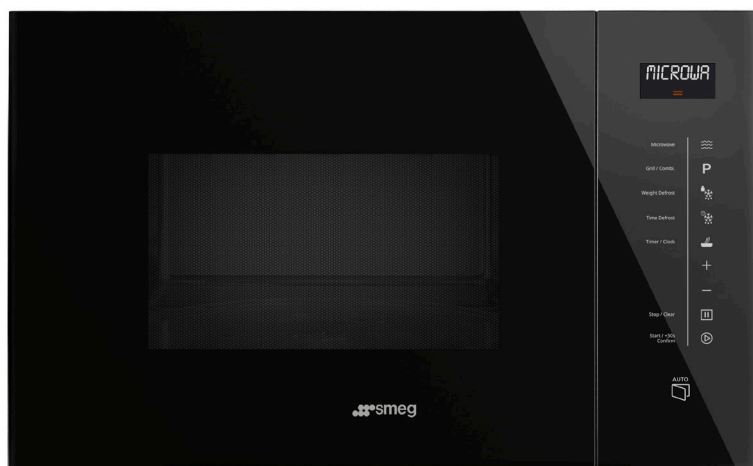


FMIA125B3

LINEA 25L BUILT-IN MICROWAVE OVEN



COOKING FUNCTIONS:



MICROWAVE



MICROWAVE
+ GRILL



GRILL

OTHER FUNCTIONS:



DEFROST BY
TIME



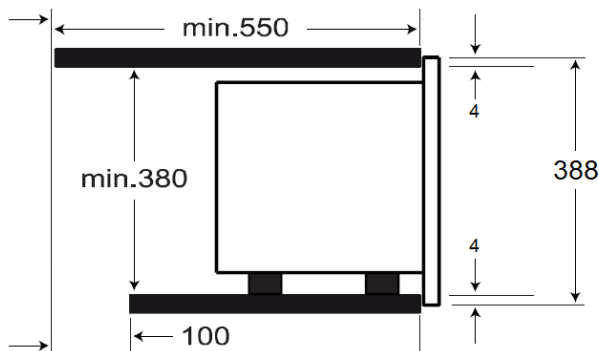
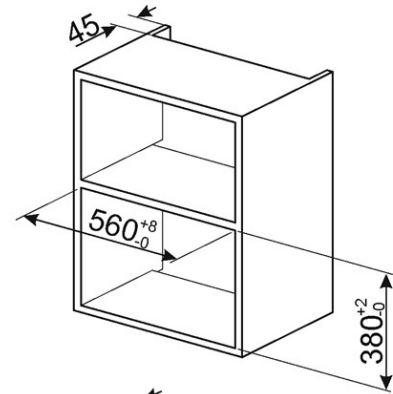
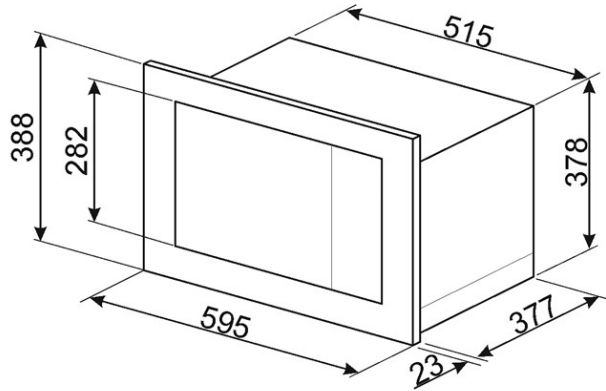
DEFROST BY
WEIGHT

MICROWAVE FEATURES

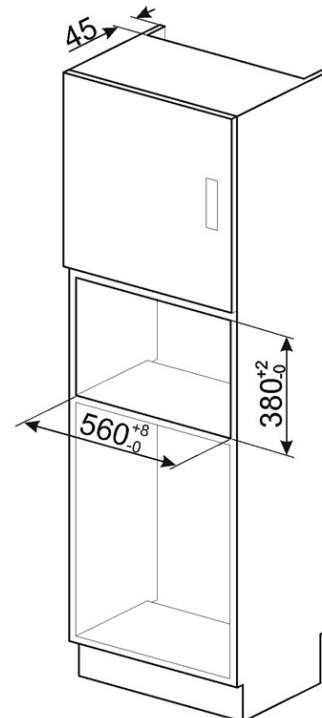
EAN	8017709346225
Dimensions	595mmW x 388mmH x 400mmD
Finish	Pure Black
Display	Digital
Capacity	25L
Installation	Built-in Under-bench installation permitted (refer to technical drawing)
Cavity type	Stainless steel interior
Turntable	31.5cm diameter
Power levels	5
Microwave power	900W
Grill Power	1000W
Cooking functions	Microwave, Microwave + Grill, Grill
Automatic cooking	8 - Pizza, Meat, Vegetable, Pasta, Potato, Fish, Beverage, Popcorn
Defrost	By Time and Weight
Other functions	Multi-stage cooking Quick Start option
Lighting	1 x incandescent
Control panel	Electronic touch pad
Opening	Side opening, touch control
Clock	LED
Timer	End of cooking acoustic alarm
Supplied accessories	1 x grill stand 1 x suction cup
Safety	Control lock, safety thermostat, microwave stops when door is opened
Power	230V, 50Hz, 10A Connection
Warranty	Five years parts and labour

FMIA125B3

LINEA 25L BUILT-IN MICROWAVE OVEN



NB. For under bench installation please allow 100mm clearance from cabinetry to the floor



PLEASE NOTE: drawings are not to scale. They are to assist only.

WARNING: technical specifications and product sizes can be varied by the manufacturer without notice.

Cutouts for appliances should only be by physical product measurements. The above information is indicative only.